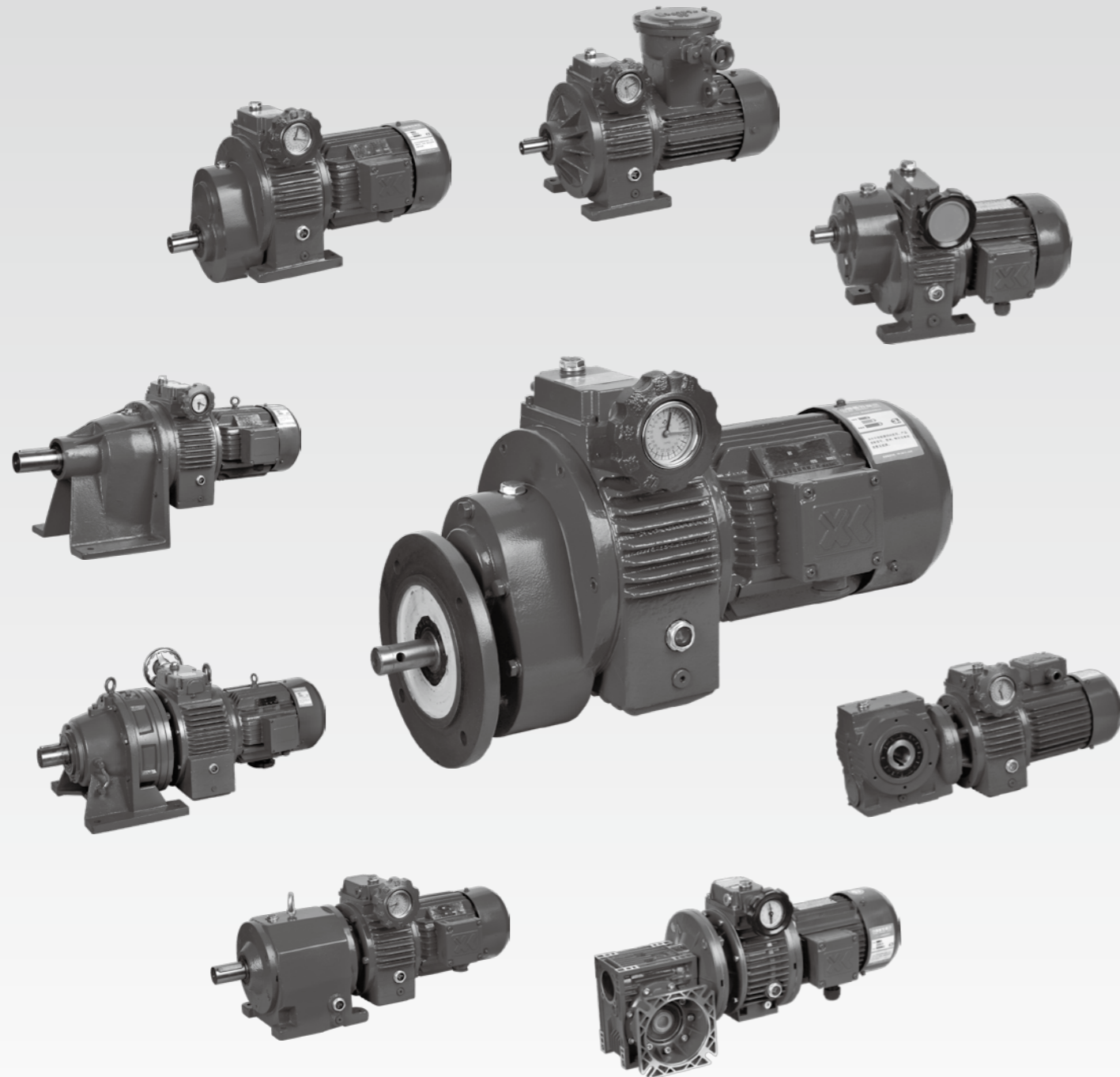


# UD 系列行星锥盘减变速机

## UD Series of Planetary Cone-disc Reducer & Variator



### ■ 概述 | Introduction

UD 系列行星锥盘无级变速器由于结构合理、操作方便、传动稳定、噪音低等特点，所以广泛应用于食品、印刷、纺织、橡胶、塑料、陶瓷、制药、化工等行业的机械传动装置上。它的主要性能特点：

- 变速范围大：UD 变速器变速范围  $R_b=5$ ；
- 调速精度高：UD 变速器调速精度为 0.5~1 转；
- UD 系列变速器所有传动零部件都经过严格处理，精密加工和研磨，接触与润滑性能良好，所以运转平稳、噪音低、使用寿命长；
- 组合能力强：本机能与各种减速机组合，实现低速无级变速，因此它具有良好的适应性；
- 结构紧凑、体积小、重量轻；
- 适应工艺参数多变或连续变化的工况要求，并可在负载中按需要调节速度。

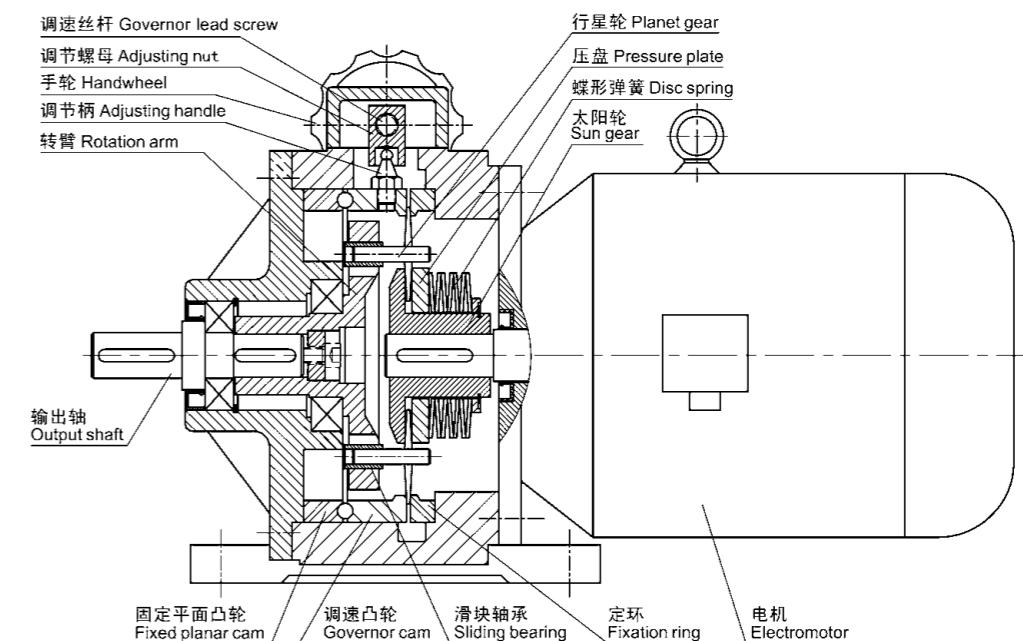
UD Series of planetary cone-disc variator is characterized by proper structure, easy operation, stable transmission and low noise. It is widely used in mechanical transmission equipments for the industries of food, printing, textile, rubber, plastics, ceramics, pharmacy and chemical. Main features of it are:

- Broad range of speed adjustment: it is  $R_b=5$  for UD variators;
- High precision of speed adjustment: it is 0.5~1 turn for UD variators;
- All transmission parts of UD series variators are processed and ground precisely. With excellent performance of contact and lubrication, it is featured by stable operation, low noise and long life time;
- Multiple combination: it can be combined with various reducers with stepless change at low speed;
- Compact structure, small size, light in weight;
- It meets the requirements of variable technical parameters or continuous changes with possible with possible speed adjustment in load.

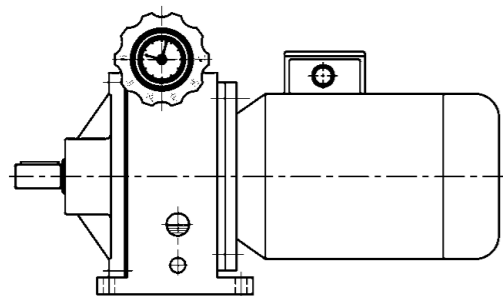
### ■ 工作原理 | Principle of Operation

本机由行星机构、调速控制机构、加压装置及电机等组成。行星机构由太阳轮、压盘、固定平面凸轮、调速凸轮、定环、行星轮及转臂（行星架）组成。动力源由电机输入带动太阳轮，由于定环及调速凸轮不动，因此行星轮在自转的同时并做公转运动，通过滑块轴承带动转臂及输出轴运转。加压装置是由一组碟簧组成，它对压盘、行星轮、太阳轮施加轴向压力，使其转动时产生摩擦，通过专用牵引油产生的牵引力来传递动力。调速控制机构的工作过程是当转动手轮时，通过调速丝杆、调节螺母、调节柄带动调速凸轮改变其角向位置，并通过固定平面凸轮曲线面使调速凸轮产生轴向移动，从而改变调速凸轮和定环的间隙，行星轮就能作径向移动，从而改变了传动半径，最终实现了稳定的无级变速。

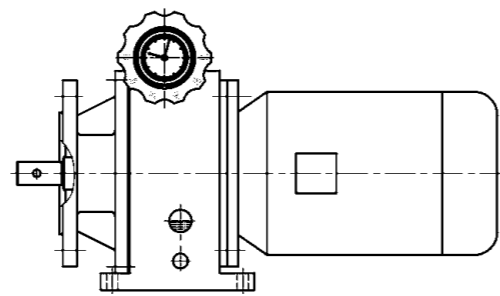
It consists of planet mechanism, speed regulation mechanism, pressurizing equipment and electromotor, etc. The planet mechanism comprises sun gear, pressure plate, fixed planar cam, governor cam, fixation ring, planet gear and rotation arm (planet carrier). Power supply is from electromotor input, which drives the sun gear. As the fixation ring and the governor cam are stable, the planet gear is rotating and revolving simultaneously, which drives the rotation arm and the output shaft by the sliding bearing. The pressurizing equipment is constituted by a group of disc springs, exerting axial pressure on the pressure plate, the planet gear and the sun gear with friction caused when they are rotating. Therefore, the power is transmitted by the traction force generated by special traction lubricant. The working process of the control mechanism caused by speed adjustment is to change its angle position by the governor cam which is driven by the governor lead screw, the adjusting nut and the adjusting handle and make the governor cam in axial movement through the curved surface of the fixed planar cam when turning the handwheel. Thus, the clearance between the governor cam and the fixation ring is changed and the planet gear will move radically, which alters the transmission radius with stable stepless speed change achieved.



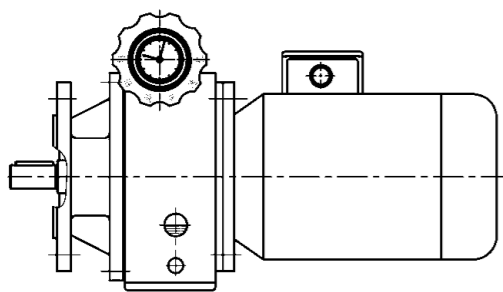
UD 系列设计方案 | Design of UD Series



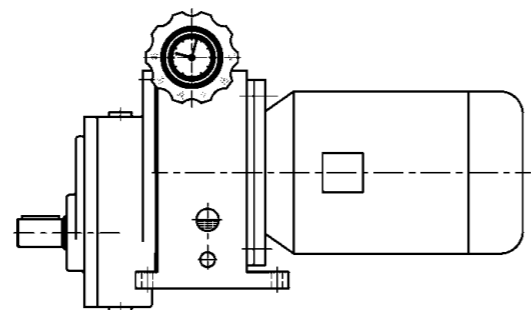
UDY...  
基本型卧式无级变速器  
Basic type of horizontal stepless gearbox



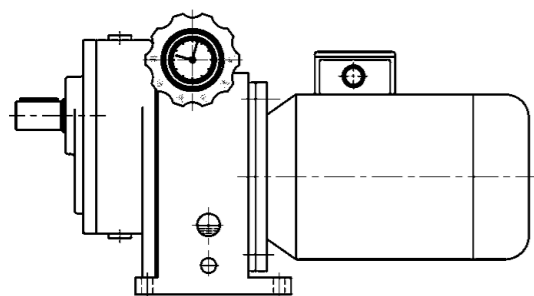
UDY...  
基本型立式无级变速器 (泵专用)  
Basic type of horizontal & vertical stepless gearbox  
(Pump Exclusive)



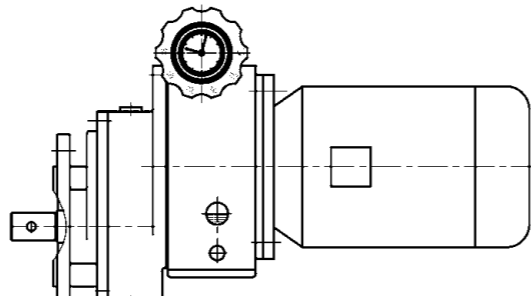
UDY...  
基本型立式无级变速器  
Basic type of vertical stepless gearbox



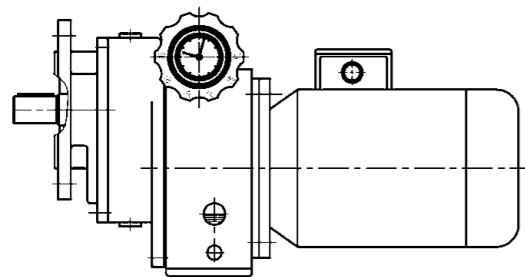
UDY...C1...  
配一级齿轮卧式无级变速器 (泵专用)  
Horizontal stepless gearbox with first grade gear provided  
(Pump Exclusive)



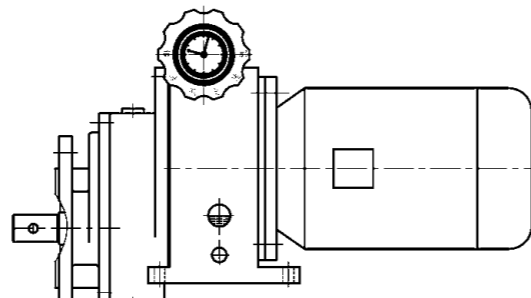
UDY...C1...  
配一级齿轮卧式无级变速器  
Horizontal stepless gearbox with first grade gear provided



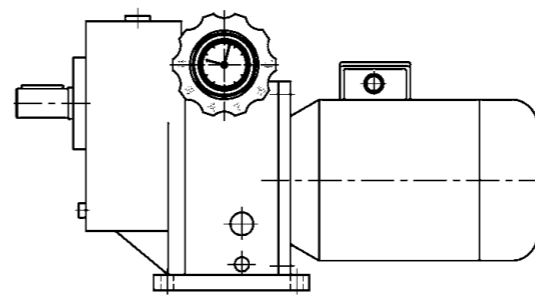
UDY...C1...  
配一级齿轮立式无级变速器 (泵专用)  
Vertical stepless gearbox with first grade gear provided  
(Pump Exclusive)



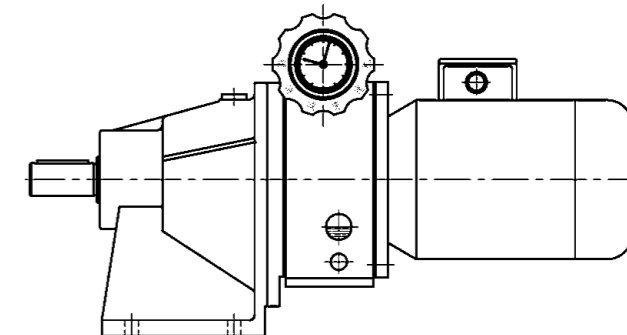
UDY...C1...  
配一级齿轮立式无级变速器  
Vertical stepless gearbox with first grade gear provided



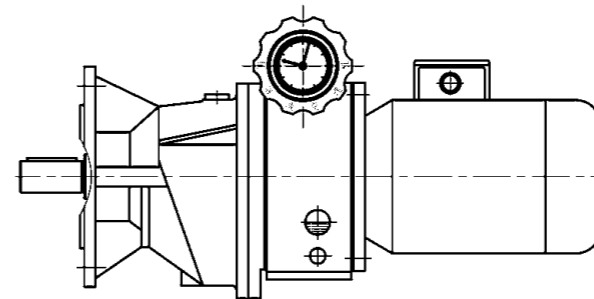
UDY...C1...  
配一级齿轮立式无级变速器 (泵专用)  
Horizontal & vertical stepless gearbox with first grade gear provided  
(Pump Exclusive)



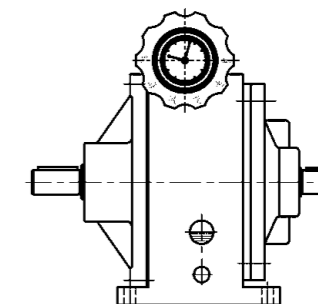
UDY...2C...  
配二级齿轮卧式无级变速器  
Horizontal stepless gearbox with two grade gear provided



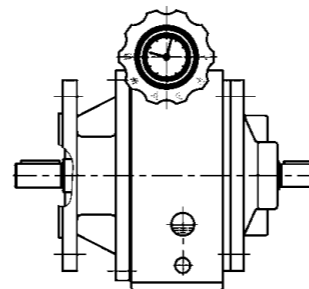
UDY...C2...  
配二级齿轮卧式无级变速器  
Horizontal stepless gearbox with two grade gear provided



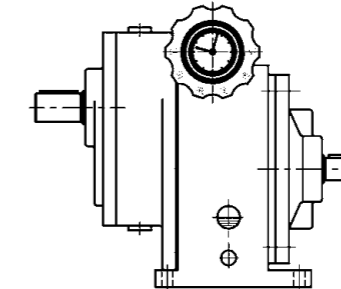
UDY...C2...  
配二级齿轮立式无级变速器  
Vertical stepless gearbox with two grade gear provided



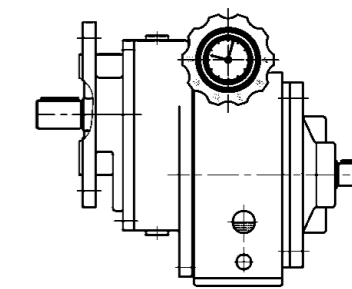
UD...  
基本型卧式, 轴输入无级变速器  
Basic type of horizontal stepless gearbox with shaft input



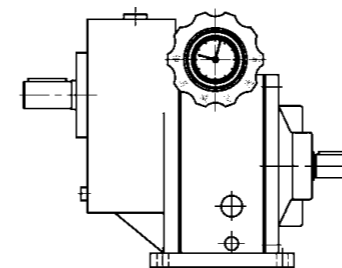
UD...  
基本型立式, 轴输入无级变速器  
Basic type of vertical stepless gearbox  
with shaft input



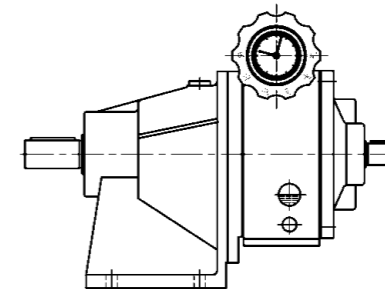
UD...C1...  
配一级齿轮卧式, 轴输入无级变速器  
Horizontal stepless gearbox with first grade  
gear provided shaft input



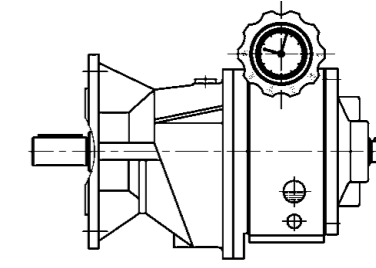
UD...C1...  
配一级齿轮立式, 轴输入无级变速器  
Vertical stepless gearbox with first grade  
gear provided shaft input



UDY...2C...  
配二级齿轮卧式, 轴输入无级变速器  
Horizontal stepless gearbox with two grade  
gear provided shaft input



UDY...C2...  
配二级齿轮卧式, 轴输入无级变速器  
Horizontal stepless gearbox with two grade  
gear provided shaft input



UDY...C2...  
配二级齿轮立式, 轴输入无级变速器  
Vertical stepless gearbox with two grade gear  
provided shaft input

UD 系列选型 | Options of UD Series

使用条件及选型结果 / Conditions and results

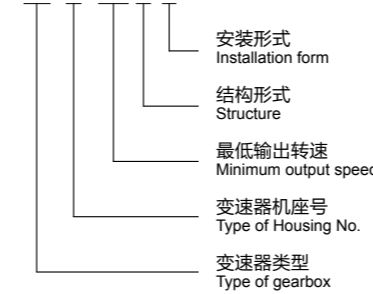
使用条件 / Condition ○

选型结果 / Result ●

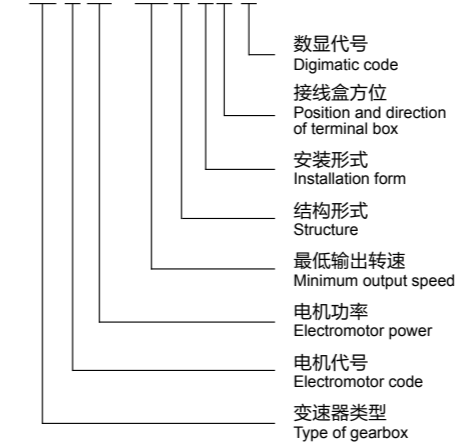
○ 负荷容量 (被驱动设备输入功率或输入转矩) Load capacity (Input power or input torque of the driven equipment)	M=100N.m	
○ 电源电压 / Voltage	380V	
○ 电源频率 / Frequency	50Hz	
○ 要求转速 / Speed required	8-40r/min	
○ 运行系数 K / Performance coefficient	均匀负荷, 14 小时 / 天 KA=1.25 查表 P2 启动次数: 5 次 / 小时 KS=1 查表 P4 可靠度: 一般 KR=1 查表 P4 K=KA * KS * KR=1.25	Uniform load, 14 hours/day KA=1.25 check the table P2 Number of startups: 5 times/hour KS=1 check the table P4 Reliability: normal KR=1 check the table P4
○ 安装形式 / Type of installation	平行轴、卧装与被驱动设备直联 B3 查表 P82	Parallel shaft, horizontal installation B3 check the table P82
○ 承载能力计算 / Calculation of bearing capacity	M <sub>2min</sub> ≥ M <sub>s2</sub> * K=125N.m	
● 确认机型 / Confirmation of machine	根据 N <sub>2</sub> 及 M <sub>2min</sub> 查表 P38 得: UDY 0.75-C <sub>2</sub> /25-8	Based on N <sub>2</sub> and M <sub>2min</sub> & table P38: UDY 0.75-C <sub>2</sub> /25-8
● 确认环境条件 / Confirmation of environmental condition	室内、环境温度 28℃ OK	Inside, ambient temperature 28℃ OK
● 确认电机规格 / Confirmation of electromotor specification	380V、50Hz 无制动器、室内型 / Without brake, for inside OK	
● 结束选型 / End of selection	UDY 0.75-C <sub>2</sub> /25-8 380V、50Hz 无制动器、室内型 / Without brake, for inside	

UD 系列型号规格表示方式 | Denotation of Specification & Dimension of UD Series

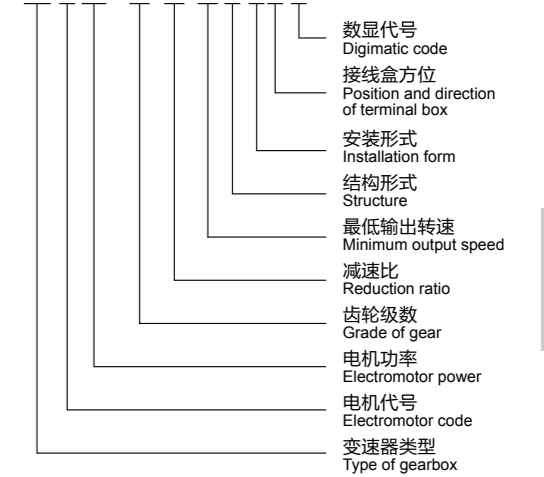
UD 15 -200 F-M



UD Y 2.2 - 200 F-M-I - S



UD Y 1.5 - C1/2.5-80 F-M-I - S



变速器类型 Type of gearbox	电机代号 Electromotor code	电机功率 Electromotor power	齿轮级数 Grade of gear	减速比 Reduction ratio	最低输出转速 Minimum output speed	结构形式 Structure	安装形式 Installation form	接线盒方位 Position and direction of terminal box	变速器机座号 Type of Housing No.	数显代号 Digimatic code
行星锥盘 无级变速器 UD Planetary cone-ring stepless variator UD	普通 Y <sub>2</sub> Normal Y <sub>2</sub>	见选型 参数表 See selections Parameter list	一级: C <sub>1</sub> One class: C <sub>1</sub>	见选型 参数表 See selections Parameter list	见选型 参数表 See selections Parameter list	卧式 (W 省略) Horizontal (W omitted)	见表 P80-82	见表 P6	见选型 参数表 See selections Parameter list	S
	防爆 B Explosion protection B					立式 (F) Vertical (F)				
	制动 E Brake E		二级: 2C C <sub>2</sub> Two class: 2C C <sub>2</sub>			立、卧式 (FW) Vertical & Horizontal (FW)				
	变频 V Frequency conversion V									
	变频制动 VE Brake by frequency conversion VE									
	多速 D Multi-speed D									
分马力 F Fractional horsepower F										

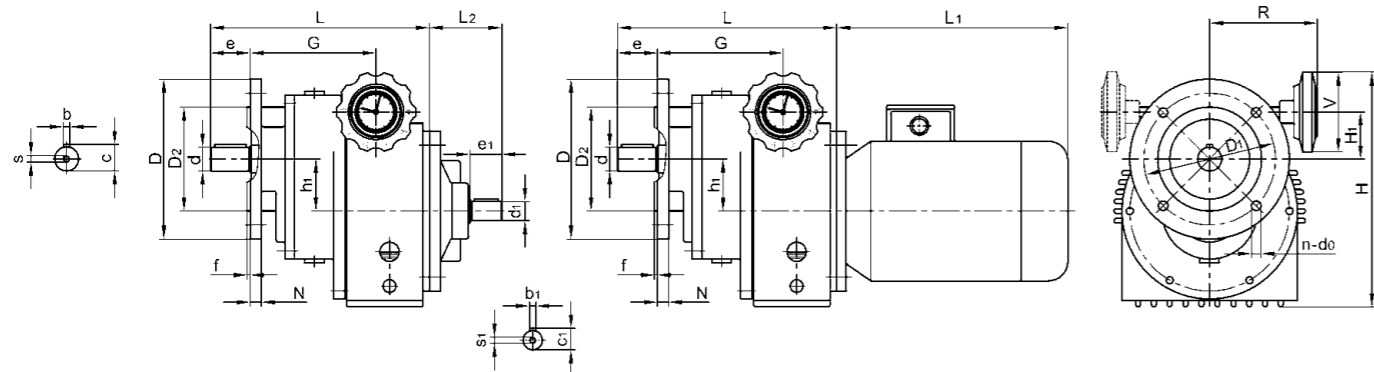
UD 系列选型参数表 | Parameter List Selections of UD Series

机座号 Housing No.		02	04	07	15	40	75	150								
输入功率 (KW) Input power	四极 4-pole	0.18	0.25	0.37	0.55	0.75	1.1	1.5	2.2	3	4	5.5	7.5	11	15	
	六极 6-pole		0.18	0.25	0.37	0.55	0.75	1.1	1.5	2.2	3	4	5.5	7.5	11	
型号 Model	类别 Type	输出转速 r/min Output speed	许用输出转矩 N.m Permissible output torque													
UDY-	1	200-1000	3-1.5	4.2-2	6.2-3	10.4-5	12.5-6	18.4-9	25-12	36-18	50-24	67-33	92-45	125-61	176-88	235-118
		130-650		4.6-2.3	6.4-3.2	10.4-5.2	15-7.5	21-10	28-14	38-19	56-28	77-38	103-51	141-70	190-95	280-140
	2	150-750		4.6-2.3	6.4-3.2	10.4-5.2	15-7.5	21-10	28-14	38-19	56-28	77-38	103-51	141-70	190-95	280-140
		100-500		4.6	6.4	10.4	15	21	28	38	56	77	103	141	190	280





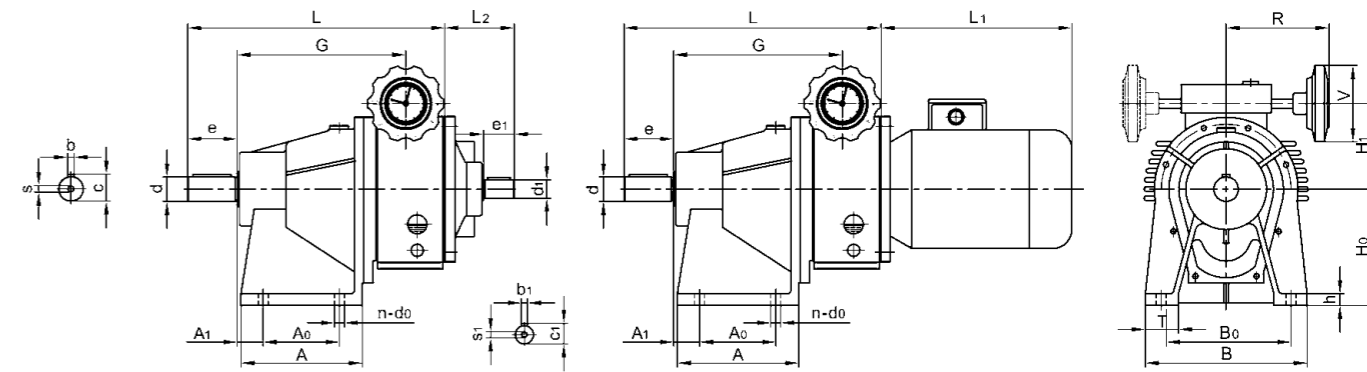
UD-C<sub>1</sub>-F 系列外形及安装尺寸 | Overall & Installation Dimension of UD-C<sub>1</sub>-F Series



机座号 Housing No.	安装尺寸 Installation dimension						输出轴尺寸 Output shaft dimension					输入轴尺寸 Input shaft dimension					外形尺寸 Overall dimension												
	D <sub>1</sub>	D <sub>2</sub>	f	h <sub>1</sub>	n	d <sub>0</sub>	d	e	b	c	s	d <sub>1</sub>	e <sub>1</sub>	b <sub>1</sub>	c <sub>1</sub>	s <sub>1</sub>	D	G	N	R	V	H	H <sub>1</sub>	L	L <sub>2</sub>	L <sub>1</sub>			
02	130	110h7	3.5	45	4	10	20h6	30	6	22.5	M6	14h6	25	5	16	M6	160	135	12	105	85	202	42	196	65				
04	130	110h7	3.5	45	4	10	20h6	30	6	22.5	M6	14h6	30	5	16	M6	160	135	12	115	85	221	47	201	76				
07	165	130h7	3.5	60	4	12	28h6	45	8	31	M8	19h6	30	6	21.5	M6	200	148	14	115	85	259	52	246	68				
15	165	130h7	4	65	4	12	30h6	50	8	33	M8	24h6	40	8	27	M8	200	160	14	128	100	296	59	271	91				
40	215	180h7	4	80	4	15	40h6	60	12	43	M10	24h6	50	8	27	M8	250	203	16	147	100	347	73	337	114				
75	265	230h7	5	120	4	15	50h6	80	14	52.5	M10	32h6	60	10	35	M10	300	255	20	186	160	460	73	453	109				
150	590	520h7	8	150	4	22	63h6	105	18	67	M16	40h6	82	12	43	M12	650	288	30	242	200	551	105	693	136				

See the table for electromotor P5

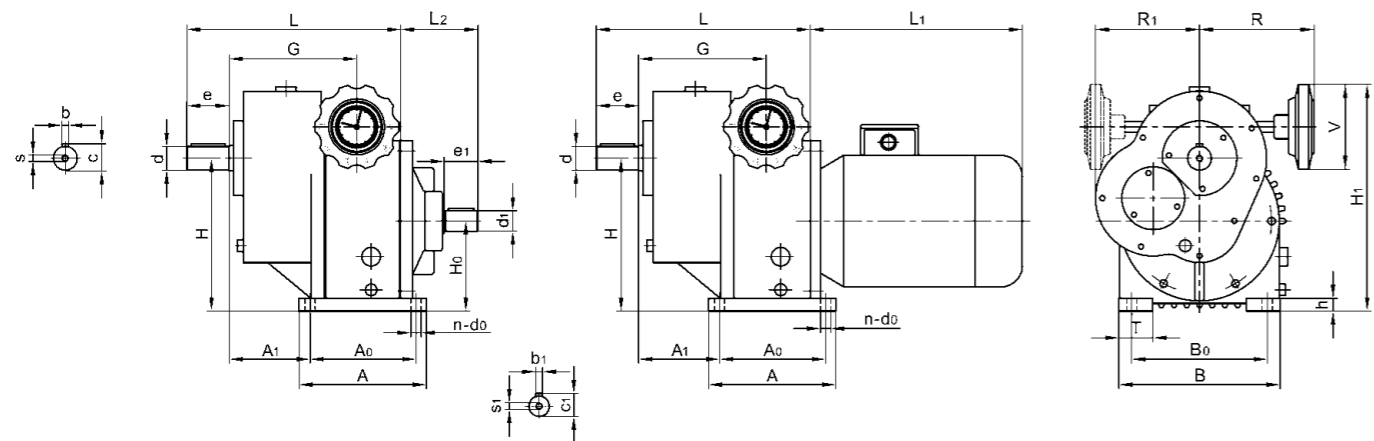
UD-C<sub>2</sub> 系列外形及安装尺寸 | Overall & Installation Dimension of UD-C<sub>2</sub> Series



机座号 Housing No.	安装尺寸 Installation dimension						输出轴尺寸 Output shaft dimension					输入轴尺寸 Input shaft dimension					外形尺寸 Overall dimension												
	H <sub>0</sub>	A <sub>1</sub>	A <sub>0</sub>	B <sub>0</sub>	n	d <sub>0</sub>	d	e	b	c	s	d <sub>1</sub>	e <sub>1</sub>	b <sub>1</sub>	c <sub>1</sub>	s <sub>1</sub>	A	B	G	T	h	R	V	H <sub>1</sub>	L	L <sub>2</sub>	L <sub>1</sub>		
02	105	27	70	105	4	9	19h6	40	6	21.5	M6	14h6	25	5	16	M6	120	130	194	35	12	105	85	87	265	65			
04	110	25	85	150	4	11	28h6	55	8	31	M8	14h6	30	5	16	M6	140	190	204	40	12	115	85	92	295	76			
07	152	34	100	170	4	13	32h6	65	10	35	M8	19h6	30	6	21.5	M6	165	210	222	45	15	115	85	112	340	68			
15	170	15	130	200	4	13	38h6	70	10	41	M10	24h6	40	8	27	M8	200	250	245	55	15	128	100	124	380	91			
40	235	43	180	250	4	18	55h6	110	16	59	M12	24h6	50	8	27	M8	265	320	356	75	17	147	100	153	540	114			
75	280	48	250	300	4	22	70h6	140	20	74.5	M16	32h6	60	10	35	M10	340	380	450	90	25	186	160	193	705	109			

See the table for electromotor P5

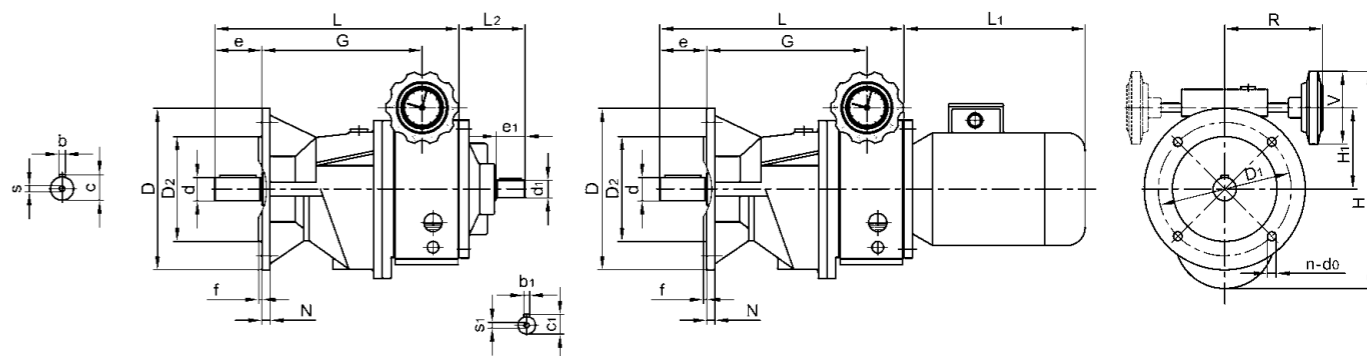
UD-2C 系列外形及安装尺寸 | Overall & Installation Dimension of UD-2C Series



机座号 Housing No.	安装尺寸 Installation dimension						输出轴尺寸 Output shaft dimension					输入轴尺寸 Input shaft dimension					外形尺寸 Overall dimension														
	H <sub>0</sub>	H	A <sub>1</sub>	A <sub>0</sub>	B <sub>0</sub>	n	d <sub>0</sub>	d	e	b	c	s	d <sub>1</sub>	e <sub>1</sub>	b <sub>1</sub>	c <sub>1</sub>	s <sub>1</sub>	A	B	G	T	h	R	R <sub>1</sub>	V	H <sub>1</sub>	L	L <sub>2</sub>	L <sub>1</sub>		
04	90	140	83	105	120	4	10	28h6	50	8	31	M8	14h6	30	5	16	M6	135	160	137	30	13	115	100	85	225	223	76			
07	106	180	96	125	160	4	12	28h6	50	8	31	M8	19h6	30	6	21.5	M6	150	190	150	40	15	115	125	85	260	253	68			
15	125	209	110	140	180	4	12	32h6	60	10	35	M8	24h6	40	8	27	M8	165	230	164	50	18	128	145	100	299	293	91			
40	150	260	100	230	245	4	14	55h6	80	16	59	M12	24h6	50	8	27	M8	270	300	206	55	25	147	167	100	353	362	114			

See the table for electromotor P5

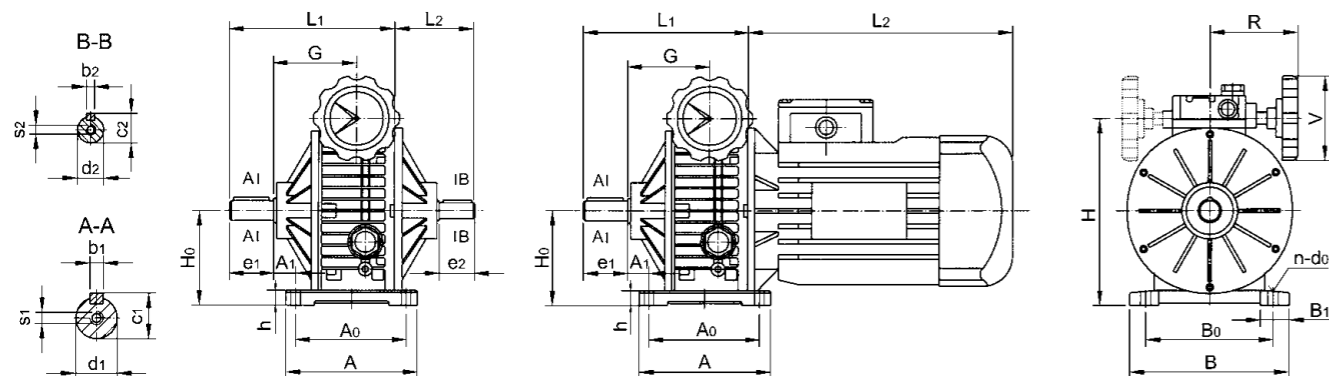
UD-C<sub>2</sub>-F 系列外形及安装尺寸 | Overall & Installation Dimension of UD-C<sub>2</sub>-F Series



机座号 Housing No.	安装尺寸 Installation dimension						输出轴尺寸 Output shaft dimension					输入轴尺寸 Input shaft dimension					外形尺寸 Overall dimension										
	D <sub>1</sub>	D <sub>2</sub>	f	n	d <sub>0</sub>	d	e	b	c	s	d <sub>1</sub>	e <sub>1</sub>	b <sub>1</sub>	c <sub>1</sub>	s <sub>1</sub>	D	G	N	R	V	H	H <sub>1</sub>	L	L <sub>2</sub>	L <sub>1</sub>		
02	115	95h7	3	4	9	19h6	40	6	21.5	M6	14h6	25	5	16	M6	140	194	10	105	85	220	87	265	65			
04	130	110h7	4	4	11	28h6	55	8	31	M8	14h6	30	5	16	M6	160	204	10	115	85	240	92	295	76			
07	165	130h7	4	4	13	32h6	65	10	35	M8	19h6	30	6	21.5	M6	200	222	12	115	85	280	112	340	68			
15	215	180h7	5	4	15	38h6	70	10	41	M10	24h6	40	8	27	M8	250	245	14	128	100	334	124	380	91			
40	265	230h7	5	4	15	55h6	110	16	59	M12	24h6	50	8	27	M8	300	356	16	147	100	413	153	540	114			
75	300	250h7	5	4	18	70h6	140	20	74.5	M16	32h6	60	10	35	M10	350	450	20	186	160	533	193	705	109			

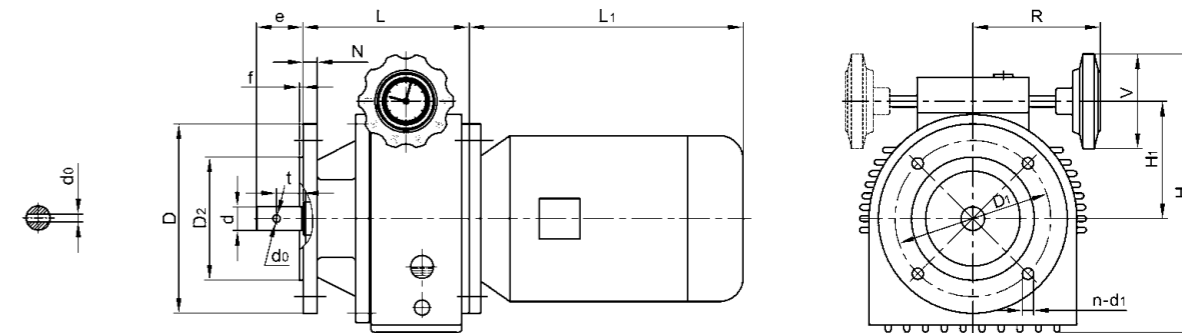
See the table for electromotor P5

UDL 系列外形及安装尺寸 | Overall & Installation Dimension of UDL Series



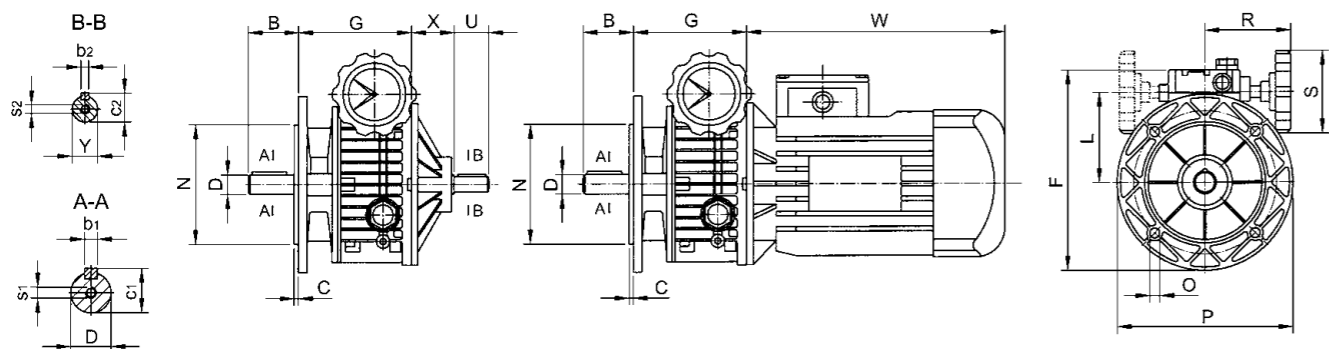
机座号 Housing No.	安装尺寸 Installation dimension					输出轴尺寸 Output shaft dimension					输入轴尺寸 Input shaft dimension					外形尺寸 Overall dimension												
	H <sub>0</sub>	A <sub>0</sub>	A <sub>1</sub>	B <sub>0</sub>	n	d <sub>0</sub>	d <sub>1</sub>	b <sub>1</sub>	c <sub>1</sub>	e <sub>1</sub>	s <sub>1</sub>	d <sub>2</sub>	b <sub>2</sub>	c <sub>2</sub>	e <sub>2</sub>	l <sub>2</sub>	s <sub>2</sub>	A	h	G	B	B <sub>1</sub>	H	R	V	L <sub>1</sub>	L <sub>2</sub>	
02	80	105	13.5	110	4	9	11h6	4	12.5	23	M6	11h6	4	12.5	23	74	M6	125	13	66	145	25	147	100	85	135		
04	90	105	20	120	4	9	14h6	5	16	30	M6	14h6	5	16	30	79	M6	125	15	73	150	27	179	110	85	140		
07	113	125	28	160	4	10	19h6	6	21.5	40	M6	19h6	6	21.5	40	110	M6	150	13	84.5	190	28	213	115	85	178.5		

UD 系列外形及安装尺寸 (泵专用)  
Overall & Installation Dimension of UD Series (Pump Exclusive)



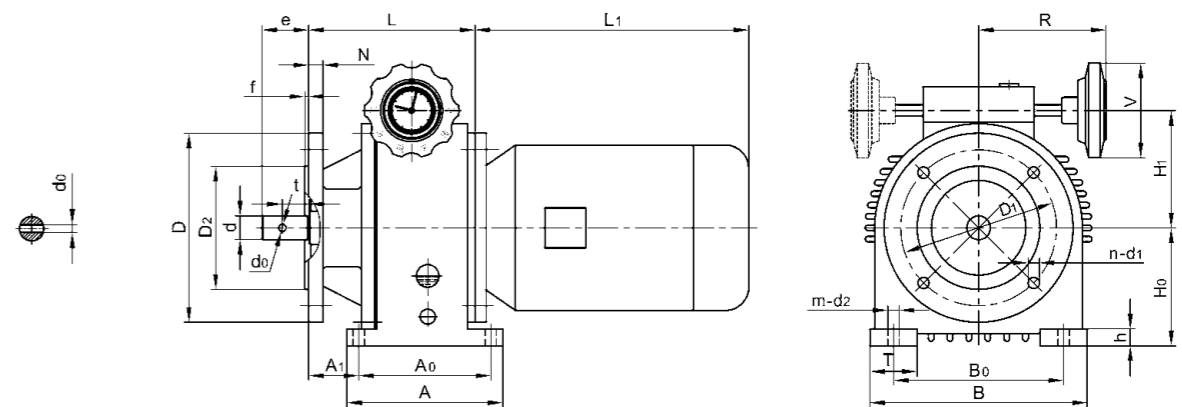
机座号 Housing No.	安装尺寸 Installation dimension					输出轴尺寸 Output shaft dimension					外形尺寸 Overall dimension						
	D <sub>1</sub>	D <sub>2</sub>	f	n	d <sub>1</sub>	d	e	d <sub>0</sub>	t	D	H	H <sub>1</sub>	L	N	R	V	L <sub>1</sub>
04	130	110h7	3.5	4	10	14h6	30	6	15	160	228	92	119	8	115	100	
07	165	130h7	3.5	4	12	20h6	40	6	30	200	266	112	142	14	115	100	
15	165	130h7	3.5	4	12	25h6	50	8	28	200	296	124	176	15	128	100	
	215	180h7	4		15					250							
40	215	180h7	4	4	15	30h6	60	10	28	250	347	153	208	16	147	100	
	265	230h7			300												
75	265	230h7	4	4	15	35h6	70	14	32	300	460	193	251	18	186	160	
	300	250h7	5		19					350							
150	350	300h7	5	4	19	50h6	110	20	60	400	551	255	345	22	242	200	

UDL-F 系列外形及安装尺寸 | Overall & Installation Dimension of UDL-F Series



机座号 Housing No.	安装尺寸 Installation dimension					输出轴尺寸 Output shaft dimension					输入轴尺寸 Input shaft dimension					外形尺寸 Overall dimension						
	M	N	C	O	D	B	b <sub>1</sub>	C <sub>1</sub>	s <sub>1</sub>	Y	U	b <sub>2</sub>	c <sub>2</sub>	s <sub>2</sub>	P	G	X	F	L	R	S	W
02	115	95h7	3.5	4*φ9	11h6	23	4	12.5	M6	11h6	23	4	12.5	M6	140	112.5	51	181	77	100	85	
04	130	110h7	3.5	4*φ9	14h6	30	5	16	M6	14h6	30	5	16	M6	160	110	49	203	89	110	85	
07	165	130h7	3.5	4*φ11	19h6	40	6	21.5	M6	19h6	40	6	21.5	M6	200	139	70	240	107	115	85	

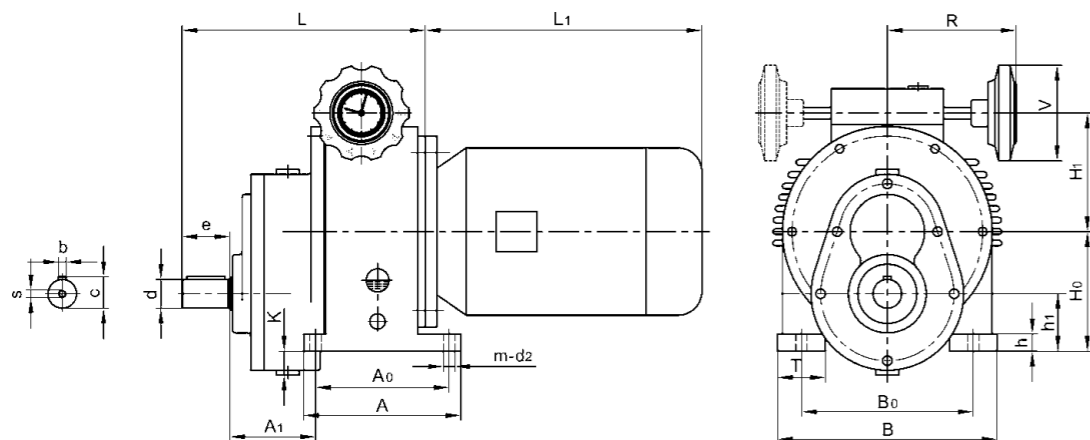
UD-FW 系列外形及安装尺寸 (泵专用)  
Overall & Installation Dimension of UD-FW Series (Pump Exclusive)



机座号 Housing No.	安装尺寸 Installation dimension					输出轴尺寸 Output shaft dimension					外形尺寸 Overall dimension															
	H <sub>0</sub>	D <sub>1</sub>	D <sub>2</sub>	f	n	d <sub>1</sub>	A <sub>1</sub>	A <sub>0</sub>	B <sub>0</sub>	m	d <sub>2</sub>	d	e	d <sub>0</sub>	t	D	A	B	T	h	N	R	V	H <sub>1</sub>	L	L <sub>1</sub>
04	90	130	110h7	3.5	4	10	30	105	120	4	10	14h6	30	6	15	160	135	160	30	13	8	115	100	92	119	
07	106	165	130h7	3.5	4	12	35	125	160	4	12	20h6	40	6	30	200	150	190	40	15	14	115	100	112	142	
15	125	165	130h7	3.5	4	12	53	140	180	4	12	25h6	50	8	28	200	165	230	50	18	15	128	100	124	176	
		215	180h7	4		15										250										
40	150	215	180h7	4	4	15	25	230	245	4	14	30h6	60	10	28	250	270	300	55	25	16	147	100	153	208	
		265	230h7			300																				
75	200	265	230h7	4	4	15	34	250	315	4	18	35h6	70	14	32	300	290	365	70	30	18	186	160	193	251	
		300	250h7	5		19										350										
150	224	350	300h7	5	4	19	50	350	360(350)	4	20	50h6	110	20	60	400	420	460	85	45	22	242	200	255	345	

### UD-C1 系列外形及安装尺寸 (泵专用)

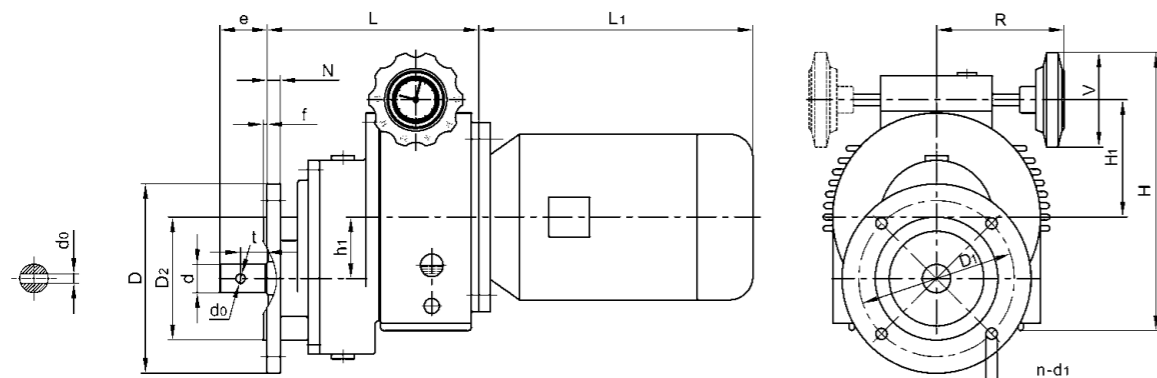
Overall & Installation Dimension of UD-C1 Series (Pump Exclusive)



机座号 Housing No.	安装尺寸 Installation dimension						输出轴尺寸 Output shaft dimension						外形尺寸 Overall dimension									
	H <sub>0</sub>	h <sub>1</sub>	A <sub>1</sub>	A <sub>0</sub>	B <sub>0</sub>	m	d <sub>2</sub>	d	e	b	c	s	A	B	T	h	R	V	H <sub>1</sub>	K	L	L <sub>1</sub>
04	90	45	66	105	120	4	10	20h6	30	6	22.5	M6	135	160	30	13	115	100	92	20	185	See the table for electromotor P5 参看电动机系列 P5
07	106	46	69	125	160	4	12	28h6	45	8	31	M8	150	190	40	15	115	100	112	34	222	
15	125	60	82	140	180	4	12	30h6	50	8	33	M8	165	230	50	18	128	100	124	30	255	
40	150	70	64	230	245	4	14	40h6	60	12	43	M10	270	300	55	25	147	100	153	30	307	
75	200	80	156	250	315	4	18	50h6	80	14	53.5	M10	290	365	70	30	186	160	193	50	455	
150	224	74	130	350	360 (350)	4	20	63h6	105	18	67	M16	420	460	85	45	242	200	255	100	530	

### UD-C1-F 系列外形及安装尺寸 (泵专用)

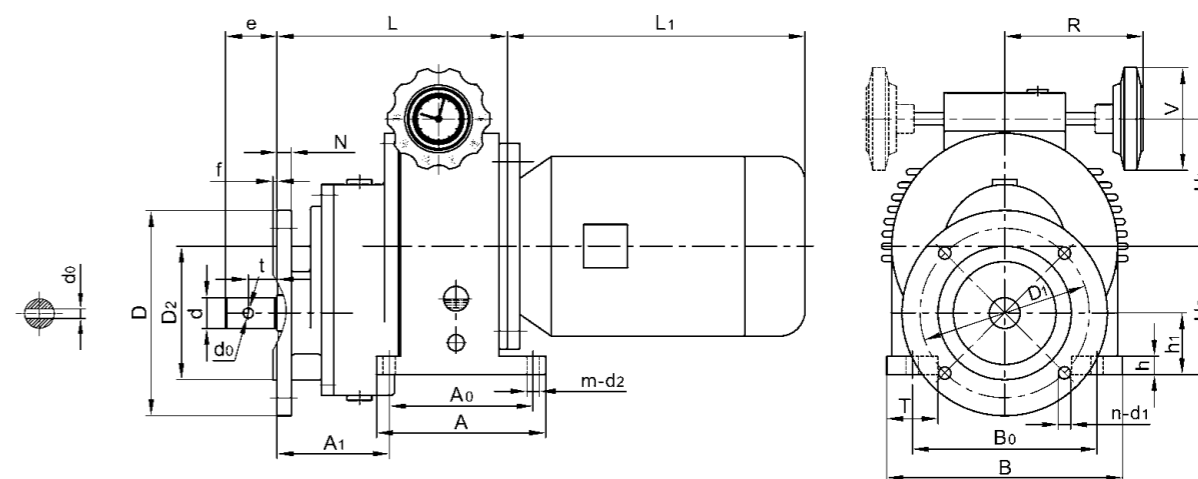
Overall & Installation Dimension of UD-C1-F Series (Pump Exclusive)



机座号 Housing No.	安装尺寸 Installation dimension						输出轴尺寸 Output shaft dimension				外形尺寸 Overall dimension							
	D <sub>1</sub>	D <sub>2</sub>	f	h <sub>1</sub>	n	d <sub>1</sub>	d	e	d <sub>0</sub>	t	D	H	H <sub>1</sub>	L	N	R	V	L <sub>1</sub>
04	130	110h7	3.5	45	4	10	20h6	30	6	15	160	228	92	171	12	115	100	See the table for electromotor P5 参看电动机系列 P5
07	165	130h7	3.5	60	4	12	28h6	45	10	28	200	266	112	201	14	115	100	
15	165	130h7	4	65	4	12	30h6	50	10	28	200	296	124	225	14	128	100	
40	215	180h7	4	80	4	15	40h6	60	14	32	250	347	153	277	16	147	100	
75	265	230h7	5	120	4	15	50h6	80	16	40	300	460	193	371	20	186	160	
150	590	520h7	8	150	4	22	63h6	105	20	50	650	551	255	435	30	242	200	

### UD-C1-FW 系列外形及安装尺寸 (泵专用)

Overall & Installation Dimension of UD-C1-FW Series (Pump Exclusive)

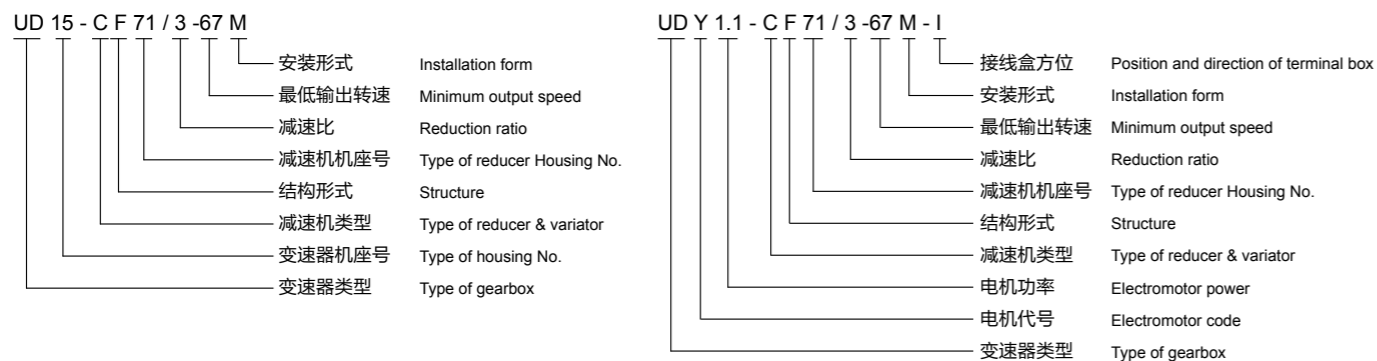


机座号 Housing No.	安装尺寸 Installation dimension											输出轴尺寸 Output shaft dimension				外形尺寸 Overall dimension											
	H <sub>0</sub>	h <sub>1</sub>	D <sub>1</sub>	D <sub>2</sub>	f	n	d <sub>1</sub>	A <sub>1</sub>	A <sub>0</sub>	B <sub>0</sub>	m	d <sub>2</sub>	d	e	d <sub>0</sub>	t	D	A	B	T	h	N	R	V	H <sub>1</sub>	L	L <sub>1</sub>
04	90	45	130	110h7	3.5	4	10	82	105	120	4	10	20h6	30	6	15	160	135	160	30	13	12	115	100	92	171	See the table for electromotor P5 参看电动机系列 P5
07	106	46	165	130h7	3.5	4	12	94	125	160	4	12	28h6	45	10	28	200	150	190	40	15	14	115	100	112	201	
15	125	60	165	130h7	4	4	12	102	140	180	4	12	30h6	50	10	28	200	165	230	50	18	14	128	100	124	225	
40	150	70	215	180h7	4	4	15	94	230	245	4	14	40h6	60	14	32	250	270	300	55	25	16	147	100	153	277	
75	200	80	265	230h7	5	4	15	154	250	315	4	18	50h6	80	16	40	300	290	365	70	30	20	186	160	193	371	
150	224	74	590	520h7	8	4	22	140	350	360 (350)	4	20	63h6	105	20	50	650	420	460	85	45	30	242	200	255	435	



UD-C(CF) 系列型号规格表示方式

Denotation of Specification & Dimension of UD-C(CF) Series



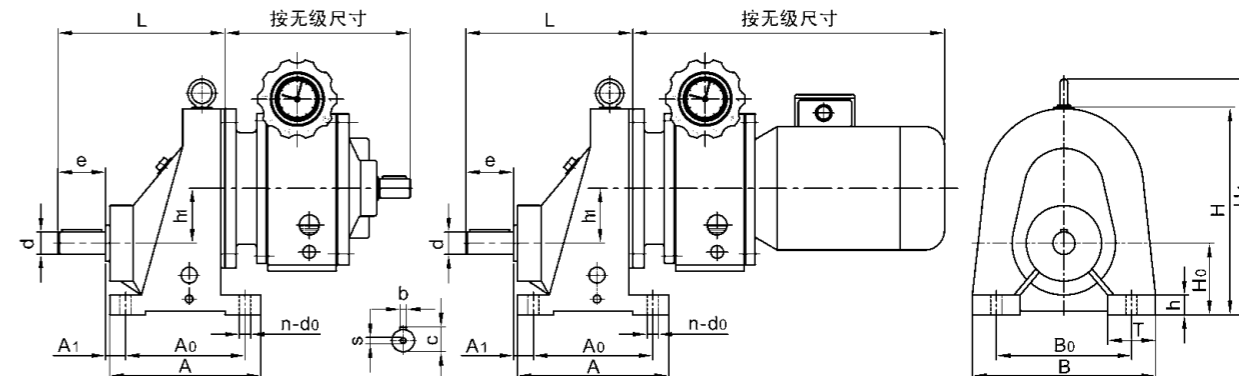
变速器类型 Type of gearbox	电机代号 Electromotor code	电机功率 Electromotor power	减速机类型 Type of reducer & variator	结构形式 Structure	减速机机座号 Type of reducer Housing No.	减速比 Reduction ratio	最低输出转速 Minimum output speed	安装形式 Installation form	接线盒方位 Position and direction of terminal box	变速器机座号 Housing No. of gearbox
行星锥盘 无级变速机 UD Planetary cone-ring stepless variator UD	普通 Y <sub>2</sub> Normal Y <sub>2</sub>	见选型 参数表 See selections Parameter list	斜齿轮硬 齿面减速机 C (CF) helical gear reducer with hard surface C (CF)	普通 轴伸式 (省略) General Shaft- extension omitted	见选型 参数表 See selections Parameter list	见选型 参数表 See selections Parameter list	见选型 参数表 See selections Parameter list	见表 P83 See the table P83	见表 P6 See the table P6	见选型 参数表 See selections Parameter list
	防爆 B Explosion protection B									
	制动 E Brake E									
	变频 V Frequency conversion V									
	变频制动 VE Brake by frequency conversion VE									
	多速 D Multi-speed D									
分马力 F Fractional horsepower F										
				轴伸 法兰式 F Shaft- extended & flange- mounted (F)						

UD-C(CF) 系列选型参数表 | Parameter List Selections of UD-C(CF) Series

变速器机座号 Housing No. of gearbox	输入功率 (KW) Input power	减速机机座号 Housing No. of reducer	减速比 Reduction ratio						
			6.4	4.6	3.7	3	2.2	1.7	
			许用输出转矩 N.m Permissible output torque						
02	0.18	C61	18.8-9.4	13.6-6.8	10.8-5.4	8.8-4.4	6.4-3.2	5-2.5	
	0.25		26-12.5	19-9	15-7	12-5.9	9-4.3	7-3.3	
04	0.37		39-19	28-14	22-11	18-9	13-6.5	10-5	
	0.18		29-14.5	21-10.5	17-8.5	14-7	10-5	7.6-3.8	
07	0.25		40-20	29-14.5	23-11.5	19-9.5	14-7	11-5.5	
	0.55		60-29	45-21	36-17	29-14	22-10	17-7.5	
07	0.75		60-38	56-27	45-22	37-18	27-13	21-10	
	0.37		60-32	47-23	38-19	30-15	22-11	18-9	
07	0.55		60-47	60-34	54-27	44-22	32-16	25-12	
	0.75		60-47	60-34	54-27	44-22	32-16	25-12	
四级 4-pole	输出转速 r/min Output speed			31-155	43-215	54-270	67-335	91-455	118-590
六级 6-pole	输出转速 r/min Output speed			20-100	29-145	36-180	45-225	60-300	78-390

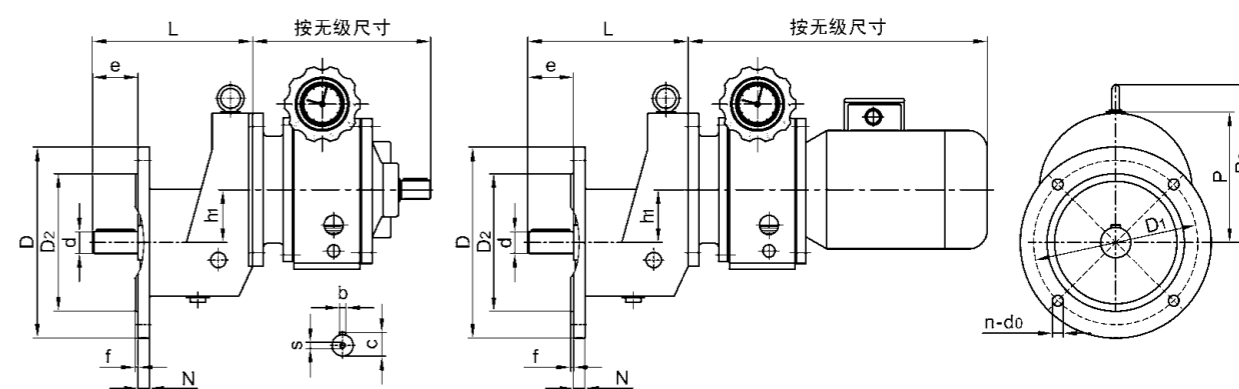
变速器机座号 Housing No. of gearbox	输入功率 (KW) Input power	减速机机座号 Housing No. of reducer	减速比 Reduction ratio						
			6.4	4.6	3.7	3	2.2	1.7	
			许用输出转矩 N.m Permissible output torque						
15	1.1	C81	115-56						
	1.5		157-75	113-54					
六极	0.75		132-63	95-45	76-36				
	1.1		176-88	126-63	102-51	82-41			
四极	2.2		220-113	162-81	130-65	106-53	78-39	60-30	
	3		220-150	220-108	181-87	147-71	108-52	83-40	
40	4		220-207	220-149	220-120	197-97	144-71	112-55	
	1.5		220-119	172-86	138-69	112-56	82-41	64-32	
六极	2.2		220-175	220-126	204-102	164-82	120-60	94-47	
	3		220-175	220-126	204-102	164-82	120-60	94-47	
四级 4-pole	输出转速 r/min Output speed			31-155	43-215	54-270	67-335	91-455	118-590
六级 6-pole	输出转速 r/min Output speed			20-100	29-145	36-180	45-225	60-300	78-390

UD-C 系列外形及安装尺寸 | Overall & Installation Dimension of UD-C Series



机座号 Housing No.	安装尺寸 Installation dimension						输出轴尺寸 Output shaft dimension						外形尺寸 Overall dimension						配置无级机座号 Installed stepless housing No.	
	H <sub>0</sub>	A <sub>1</sub>	A <sub>0</sub>	B <sub>0</sub>	n	d <sub>0</sub>	h <sub>1</sub>	d	e	b	c	s	A	B	T	h	H	H <sub>1</sub>		L
61	80	25	120	135	4	12	60	25js6	50	8	28	M8	155	180	45	20	220	255	170	UD02 UD04 UD07
71	90	25	150	170	4	14	69	40k6	80	12	43	M10	190	230	60	25	263	307	230	UD07 UD15
81	100	30	160	215	4	18	95	45k6	90	14	48.5	M12	210	290	70	30	320	365	250	UD15 UD40
91	120	33	180	260	4	20	115	50k6	100	14	53.5	M16	240	340	75	35	385	430	295	UD40 UD75

UD-CF 系列外形及安装尺寸 | Overall & Installation Dimension of UD-CF Series

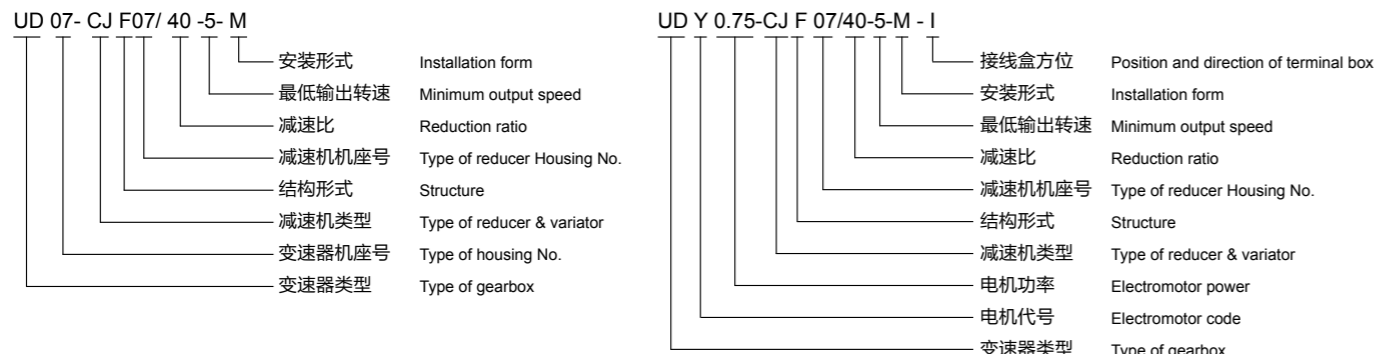


机座号 Housing No.	安装尺寸 Installation dimension						输出轴尺寸 Output shaft dimension						外形尺寸 Overall dimension						配置无级机座号 Installed stepless housing No.
	D <sub>1</sub>	D <sub>2</sub>	f	n	d <sub>0</sub>	h <sub>1</sub>	d	e	b	c	s	D	N	P	P <sub>0</sub>	L			
61	165	130h7	3.5	4	12	60	25js6	50	8	28	M8	200	12	138	175	170	UD02 UD04 UD07		
71	215	180h7	4	4	15	69	40k6	80	12	43	M10	250	15	173	217	230	UD07 UD15		
81	265	230h7	4	4	15	95	45k6	90	14	48.5	M12	300	18	220	265	250	UD15 UD40		
91	300	250h7	5	4	19	115	50k6	100	14	53.5	M16	350	20	265	320	295	UD40 UD75		



UD-CJ(CJF) 系列型号规格表示方式

Denotation of Specification & Dimension of UD-CJ(CJF) Series



变速器类型 Type of gearbox	电机代号 Electromotor code	电机功率 Electromotor power	减速机类型 Type of reducer & variator	结构形式 Structure	减速机机座号 Type of reducer Housing No.	减速比 Reduction ratio	最低输出转速 Minimum output speed	安装形式 Installation form	接线盒方位 Position and direction of terminal box	变速器机座号 Housing No. of gearbox
行星锥盘 无级变速器 UD Planetary cone-ring stepless variator UD	普通 Y <sub>2</sub> Normal Y <sub>2</sub>	见选型 参数表 See selections Parameter list	斜齿轮硬 齿面减速机 CJ (CJF) helical gear reducer with hard surface CJ (CJF)	普通 轴伸式 (省略) General Shaft-extension (omitted)	见选型 参数表 See selections Parameter list	见选型 参数表 See selections Parameter list	见选型 参数表 See selections Parameter list	见表 P84 See the table P84	见表 P6 See the table P6	见选型 参数表 See selections Parameter list
	防爆 B Explosion protection B									
	制动 E Brake E									
	变频 V Frequency conversion V									
	变频制动 VE Brake by frequency conversion VE									
	多速 D Multi-speed D									
分马力 F Fractional horsepower F										
				轴伸 法兰式 F Shaft-extended & flange-mounted (F)						

UD-CJ(CJF) 系列选型参数表 | Parameter List Selections of UD-CJ(CJF) Series

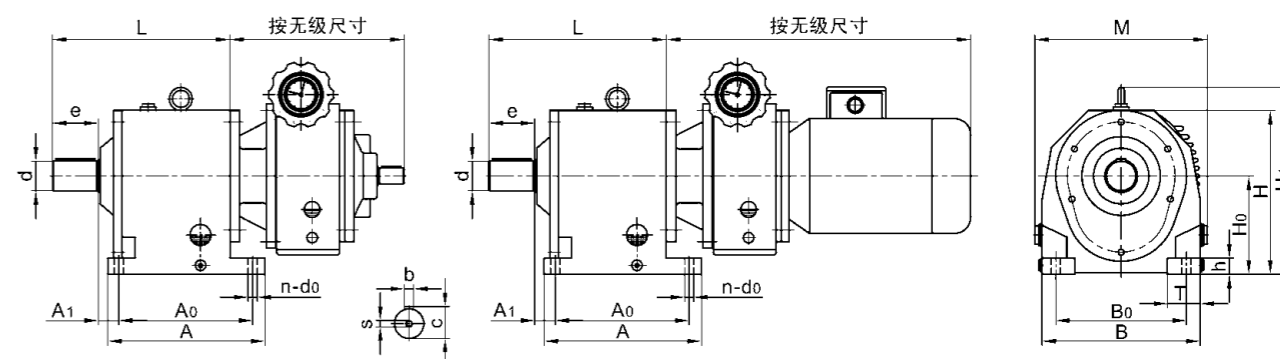
变速器机座号 Housing No. of gearbox	输入功率 (KW) Input power	减速机机座号 Housing No. of reducer	减速比 Reduction ratio												
			131	108	84	69	46	40	25	20	17	10	7.5	6	
			许用输出转矩 N.m Permissible output torque												
02	四极	0.18	300-184	300-157	236-118	194-97	130-65	112-56	70-35	56-28	48-24	28-14	22-11	16-8	
04	六极	CJ04	0.25	300-246	300-203	300-158	272-130	181-86	158-75	98-47	78-38	67-32	39-19	29-14	23-11
			0.37			300-237	300-195	268-130	233-113	145-70	116-56	99-48	58-28	43-21	35-17
			0.18	300-283	300-233	300-182	298-149	198-99	172-86	108-54	86-43	74-37	44-22	32-16	26-13
			0.25			300-253	300-208	276-183	240-120	150-75	120-60	102-51	60-30	46-23	36-18
四极 4-pole	输出转速 r/min Output speed		1.5-7.5	1.8-9	2.4-12	2.9-14.5	4.3-21.5	5-25	8-40	10-50	12-60	20-100	27-135	33-165	
六极 6-pole	输出转速 r/min Output speed		1-5	1.2-6	1.6-8	1.9-9.5	2.9-14.5	3.3-16.5	5.3-26.5	6.7-33.5	8-40	13-65	18-90	22-110	

变速器机座号 Housing No. of gearbox	输入功率 (KW) Input power	减速机机座号 Housing No. of reducer	减速比 Reduction ratio												
			139	109	91	69	46	40	25	20	16.8	10	7.5	6	
			许用输出转矩 N.m Permissible output torque												
04	四极	CJ07	0.25	500-261	430-205	359-171	272-130								
			0.37	500-392	500-307	500-257	402-195	268-130							
			0.18	500-300	471-235	393-196	298-149								
			0.25	500-418	500-328	500-273	415-207	276-138							
07	六极	CJ07	0.55		500-461	500-385	500-292	432-195	376-169	235-106	188-85	158-71	94-42	71-32	56-25
			0.75				500-389	500-264	470-229	294-143	235-115	197-96	118-57	88-43	71-34
			0.37				500-337	450-225	391-195	244-122	196-98	164-82	98-49	73-36	59-29
			0.55				500-486	500-324	500-282	352-176	282-141	236-118	141-70	106-53	85-42
四极 4-pole	输出转速 r/min Output speed		1.4-7	1.8-9	2.2-11	2.9-14.5	4.3-21.5	5-25	8-40	10-50	12-60	20-100	27-135	33-165	
六极 6-pole	输出转速 r/min Output speed		0.95-4.75	1.2-6	1.5-7.5	1.9-9.5	2.9-14.5	3.3-16.5	5.3-26.5	6.7-33.5	8-40	13-65	18-90	22-110	

变速器机座号 Housing No. of gearbox	输入功率 (KW) Input power	减速机机座号 Housing No. of reducer	减速比 Reduction ratio													
			131	109	91	66	48	40	25	20.7	15.7	10	7.5	5.7		
			许用输出转矩 N.m Permissible output torque													
07	四极	CJ15	0.55	1000-554	1000-461	855-385	620-279									
			0.75	1000-739	1000-615	1000-513	775-372	564-270								
			0.37	1000-640	1000-533	890-445	645-322	469-234								
			0.55	1000-923	1000-768	1000-641	930-465	676-338	564-282							
15	六极	CJ15	1.1		1000-922	1000-770	1000-558	830-406	692-338	432-212	385-175	272-133	173-85	130-63	98-48	
			1.5			1000	1000-744	1000-541	940-451	588-282	486-233	369-177	235-113	176-85	134-64	
			0.75				1000-855	1000-620	948-451	790-376	494-235	408-195	310-147	197-94	148-70	112-54
			1.1				1000-869	1000-632	1000-526	658-329	544-272	412-206	264-132	198-99	150-75	
四极 4-pole	输出转速 r/min Output speed		1.5-7.5	1.8-9	2.2-11	3-15	4.2-21	5-25	8-40	10-50	13-65	20-100	27-135	35-175		
六极 6-pole	输出转速 r/min Output speed		1-5	1.2-6	1.5-7.5	2-10	2.8-14	3.3-16.5	5.3-26.5	6.7-33.5	8.5-42.5	13-65	18-90	23-115		

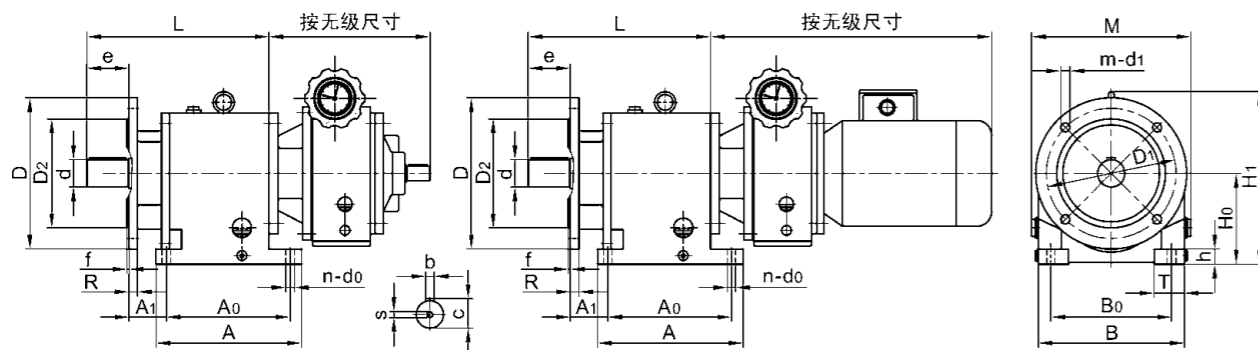
变速器机座号 Housing No. of gearbox	输入功率 (KW) Input power	减速机机座号 Housing No. of reducer	减速比 Reduction ratio												
			112	93	72	64	48	40	25	20	17	10	7.5	6	
			许用输出转矩 N.m Permissible output torque												
15	四极	CJ40	1.1	1937-948	1608-786	1245-609	1107-541	830-406							
			1.5	2000-1263	2000-1049	1692-812	1504-722	1128-541	940-451						
			0.75	2000-1053	1835-874	1421-677	1263-602	947-451							
			1.1	2000-1474	2000-1224	1894-947	1684-842	1264-632	1052-526						
40	六极	CJ40	2.2	2000-1895	2000-1573	2000-1218	2000-1083	1624-812	1354-677	846-423	676-338	576-288	338-169	254-127	204-102
			3			2000-1624	2000-1444	2000-1082	1880-902	1175-564	940-451	799-383	470-226	352-169	282-135
			4				2000-1985	2000-1489	2000-1240	1574-775	1260-620	1070-527	630-310	472-232	377-186
			1.5		2000-1661	2000-1286	2000-1143	1714-857	1428-714	892-446	714-357	608-304	358-179	268-134	214-107
四极 4-pole	输出转速 r/min Output speed		1.8-9	2.1-10.5	2.8-14	3-15	4-20	5-25	8-40	10-50	12-60	20-100	27-135	33-165	
六极 6-pole	输出转速 r/min Output speed		1.2-6	1.4-7	1.8-9	2-10	2.7-13.5	3.3-16.5	5.3-26.5	6.7-33.5	8-40	13-65	18-90	22-110	

UD-CJ 系列外形及安装尺寸 | Overall & Installation Dimension of UD-CJ Series



机座号 Housing No.	安装尺寸 Installation dimension					输出轴尺寸 Output shaft dimension					外形尺寸 Overall dimension						配置无级机座号 Installed stepless housing No.			
	H <sub>0</sub>	A <sub>1</sub>	A <sub>0</sub>	B <sub>0</sub>	n	d <sub>0</sub>	d	e	b	c	s	A	B	T	h	M		H	H <sub>1</sub>	L
04	90	20	160	130	4	10	25js6	50	8	28	M8	184	160	35	16	170	165	200	215	UD02 UD04
07	120	40	160	170	4	12	30js6	60	8	33	M8	190	200	40	20	220	210	253	240	UD04 UD07
15	150	32	205	200	4	14	40k6	70	12	43	M10	241	242	50	25	262	250	293	290	UD07 UD15
40	180	30	270	230	4	18	50k6	90	14	53.5	M12	316	300	65	30	320	305	350	367	UD15 UD40

UD-CJF 系列外形及安装尺寸 | Overall & Installation Dimension of UD-CJF Series

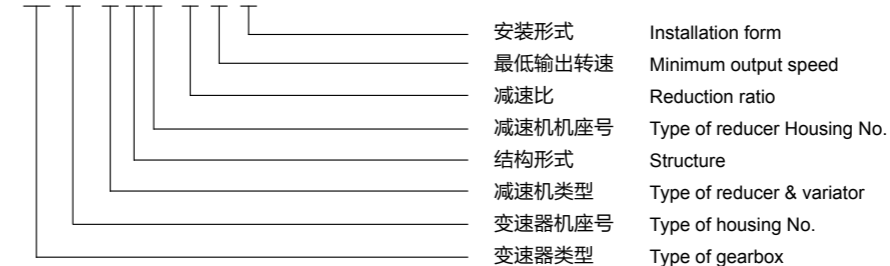


机座号 Housing No.	安装尺寸 Installation dimension										输出轴尺寸 Output shaft dimension					外形尺寸 Overall dimension										配置无级 机座号 Installed stepless housing No.		
	H <sub>0</sub>	A <sub>1</sub>	A <sub>0</sub>	B <sub>0</sub>	n	d <sub>0</sub>	D <sub>2</sub>	D <sub>1</sub>	f	m	d <sub>1</sub>	d	e	b	c	s	A	B	T	D	R	h	M	H	H <sub>1</sub>	L		
04	90	38	160	130	4	10	110h7	130	3	4	10	25js6	50	8	28	M8	184	160	35	160	12	16	170	165	200	233	UD02	UD04
07	120	60	160	170	4	12	130h7	165	3.5	4	12	30js6	60	8	33	M8	190	200	40	200	14	20	220	210	253	261	UD04	UD07
15	150	62	205	200	4	14	180h7	215	3.5	4	15	40k6	70	12	43	M10	241	242	50	250	15	25	262	250	293	320	UD07	UD15
40	180	55	270	230	4	18	230h7	265	5	4	15	50k6	90	14	53.5	M12	316	300	65	300	20	30	320	305	350	392	UD15	UD40

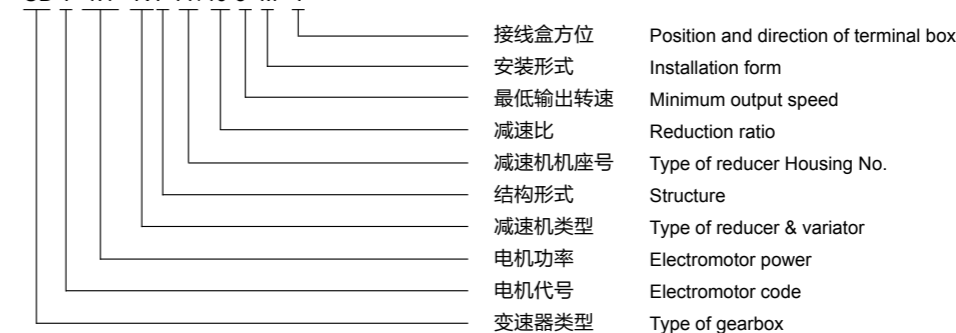
UD-R(RF) 系列型号规格表示方式

Denotation of Specification & Dimension of UD-R(RF) Series

UD 15 - R F 77/ 40 - 5 - M



UD Y 1.1 - R F 77/40-5 - M - I



UD Y 0.37-R F77-R37/676-0.3-M-I



变速器类型 Type of gearbox	电机代号 Electromotor code	电机功率 Electromotor power	减速机类型 Type of reducer & variator	结构形式 Structure	减速机机座号 Type of reducer Housing No.	减速比 Reduction ratio	最低输出转速 Minimum output speed	安装形式 Installation form	接线盒方位 Position and direction of terminal box	变速器机座号 Housing No. of gearbox
行星锥盘 无级变速器 UD Planetary cone-ring stepless variator UD	普通 Y <sub>2</sub> Normal Y <sub>2</sub>	见选型 参数表 See selections Parameter list	斜齿轮硬 齿面减速机 R (RF) helical gear reducer with hard surface R (RF)	普通 轴伸式 (省略) General Shaft-extension (omitted)	见选型 参数表 See selections Parameter list	见选型 参数表 See selections Parameter list	见选型 参数表 See selections Parameter list	见表 P85 See the table P85	见表 P6 See the table P6	见选型 参数表 See selections Parameter list
	防爆 B Explosion protection B									
	制动 E Brake E									
	变频 V Frequency conversion V			轴伸 法兰式 F Shaft-extension & flange-mounted (F)						
	变频制动 VE Brake by frequency conversion VE									
	多速 D Multi-speed D									
分马力 F Fractional horsepower F										





变速器机座号 Housing No. of gearbox	输入功率 (KW) Input power	减速机机座号 Housing No. of reducer	减速比 Reduction ratio														
			137	108	92	66	50	40	25	20	16.8	10	7.5	6			
			许用输出转矩 N.m Permissible output torque														
40	四极	2.2	4300-2318	3654-1827	3114-1557	2232-1116											
		3	4300-3089	4300-2435	4300-2075	3102-1489	2350-1128										
		4	4300-4248	4300-3349	4300-2853	4156-2047	3149-1551	2517-1240									
	六极	1.5	4300-2445	3856-1928	3286-1643	2358-1179											
		2.2	4300-3605	4300-2842	4300-2421	3474-1737	2632-1316										
75	四极	5.5			4300-3890	4300-2791	4300-2115	3459-1692									
		7.5				4300-3784	4300-2866	4300-2293	2936-1433								
	六极	3		4300-3855	4300-3284	4300-2356	3615-1785	2892-1428	1807-892	1446-714	1214-600	723-357					
		4				4300-3168	4300-2400	3876-1920	2422-1200	1938-960	1627-806	969-480					
		5.5					4300-3290	4300-2632	3312-1645	2650-1316	2226-1105	1325-658					
150	四极	11				4300-4130	4300-3304	4130-2065	3304-1652	2774-1387	1653-826	1240-620	992-496				
		15						4300-2772	4300-2218	3709-1863	2208-1109	1654-831	1324-665				
四极 4-pole	输出转速 r/min Output speed		1.5-7.5	1.9-9.5	2.2-11	3-15	4-20	5-25	8-40	10-50	12-60	20-100	27-135	33-165			
六极 6-pole	输出转速 r/min Output speed		1-5	1.3-6.5	1.5-7.5	2-10	2.6-13	3.3-16.5	5.3-26.5	6.6-33	8-40	13-65	18-90	22-110			

变速器机座号 Housing No. of gearbox	输入功率 (KW) Input power	减速机机座号 Housing No. of reducer	减速比 Reduction ratio														
			137	108	92	66	50	40	25	20	16.8	10	7.5	6			
			许用输出转矩 N.m Permissible output torque														
75	四极	5.5	8000-5792	8000-4566	7952-3890	5706-2791	4324-2115	3459-1692									
		7.5	8000-7854	8000-6192	8000-5274	7754-3784	5872-2866	4698-2293	2936-1433								
	六极	3	8000-4890	7811-3855	6654-3284	4774-2356	3615-1785										
		4	8000-6576	8000-5184	8000-4416	6398-3168	4847-2400	3876-1920									
		5.5		8000-7104	8000-6052	8000-4342	6627-3290	5301-2632	3312-1645								
150	四极	11			8000-7599	8000-5451	8000-4130	6608-3304	4130-2065	3304-1652							
		15				8000-7316	8000-5543	8000-4435	5520-2772	4417-2218	3709-1863						
四极 4-pole	输出转速 r/min Output speed		1.5-7.5	1.9-9.5	2.2-11	3-15	4-20	5-25	8-40	10-50	12-60	20-100	27-135	33-165			
六极 6-pole	输出转速 r/min Output speed		1-5	1.3-6.5	1.5-7.5	2-10	2.6-13	3.3-16.5	5.3-26.5	6.6-33	8-40	13-65	18-90	22-110			

变速器机座号 Housing No. of gearbox	输入功率 (KW) Input power	减速机机座号 Housing No. of reducer	减速比 Reduction ratio														
			137	108	92	66	50	40	25	20	16.8	10	7.5	6			
			许用输出转矩 N.m Permissible output torque														
75	四极	5.5	11841-5792	9334-4566	7952-3890												
		7.5	13000-7854	12688-6192	10807-5274	7754-3784											
	六极	3	9908-4890	7811-3855													
		4	13000-6576	10469-5184	8918-4416												
		5.5	13000-9011	13000-7104	12190-6052	8746-4342											
150	四极	11	13000-11315	13000-8920	13000-7599	10902-5451	8160-4130										
		15			13000-10198	13000-7316	11039-5543	8832-4435									
四极 4-pole	输出转速 r/min Output speed		1.5-7.5	1.9-9.5	2.2-11	3-15	4-20	5-25	8-40	10-50	12-60	20-100	27-135	33-165			
六极 6-pole	输出转速 r/min Output speed		1-5	1.3-6.5	1.5-7.5	2-10	2.6-13	3.3-16.5	5.3-26.5	6.6-33	8-40	13-65	18-90	22-110			

**UD-R-R 系列选型参数表 | Parameter List Selections of UD-R-R Series**

变速器机座号 Housing No. of gearbox	输入功率 (KW) Input power	减速机机座号 Housing No. of reducer	减速比 Reduction ratio					
			428	372	340	300	252	224
			许用输出转矩 N.m Permissible output torque					
02	0.18	R47-R37	300					
04	0.25							
	0.37							
输出转速 r/min Output speed			0.46-2.3	0.54-2.7	0.6-3	0.67-3.35	0.8-4	0.9-4.5

变速器机座号 Housing No. of gearbox	输入功率 (KW) Input power	减速机机座号 Housing No. of reducer	减速比 Reduction ratio					
			836	730	630	500	380	240
			许用输出转矩 N.m Permissible output torque					
02	0.18	R67-R37						
04	0.25		600					
	0.37							
输出转速 r/min Output speed			0.24-1.2	0.27-1.35	0.32-1.6	0.4-2	0.53-2.65	0.84-4.2

变速器机座号 Housing No. of gearbox	输入功率 (KW) Input power	减速机机座号 Housing No. of reducer	减速比 Reduction ratio								
			1124	916	764	676	571	465	368	296	248
			许用输出转矩 N.m Permissible output torque								
02	0.18	R77-R37									
04	0.25		820								
	0.37										
输出转速 r/min Output speed			0.18-0.9	0.22-1.1	0.26-1.3	0.3-1.5	0.35-1.75	0.43-2.15	0.54-2.7	0.68-3.4	0.8-4

变速器机座号 Housing No. of gearbox	输入功率 (KW) Input power	减速机机座号 Housing No. of reducer	减速比 Reduction ratio								
			2129	1524	1306	1037	883	683	472	351	256
			许用输出转矩 N.m Permissible output torque								
02	0.18	R87-R47									
04	0.25		1550-1374 1550-1170 1550-905 1250-625 930-465								
	0.37		1550-1207 1550-834 1302-620 950-452								
07	0.55		1550-1250 1550-930 1401-678								
	0.75		1550-1395 1550-1018								
输出转速 r/min Output speed			0.09-0.45	0.13-0.65	0.15-0.75	0.19-0.95	0.22-1.1	0.29-1.45	0.42-2.1	0.57-2.85	0.78-3.9

变速器机座号 Housing No. of gearbox	输入功率 (KW) Input power	减速机机座号 Housing No. of reducer	减速比 Reduction ratio								
			4304	3016	2016	1434	937	755	484	336	227
			许用输出转矩 N.m Permissible output torque								
04	0.25	R97-R67									
	0.37		3000-2532 3000-1655 2801-1334 1796-855								
07	0.55		3000-2483 3000-2001 2651-1283 1840-890								
	0.75		3000-1924 2968-1336 2005-902								
15	1.1		3000-2565 3000-1781 2506-1203								
	1.5	3000-2671 3000-1805									
输出转速 r/min Output speed			0.046-0.23	0.066-0.33	0.1-0.5	0.14-0.7	0.21-1.05	0.26-1.3	0.41-2.05	0.6-3	0.88-4.4

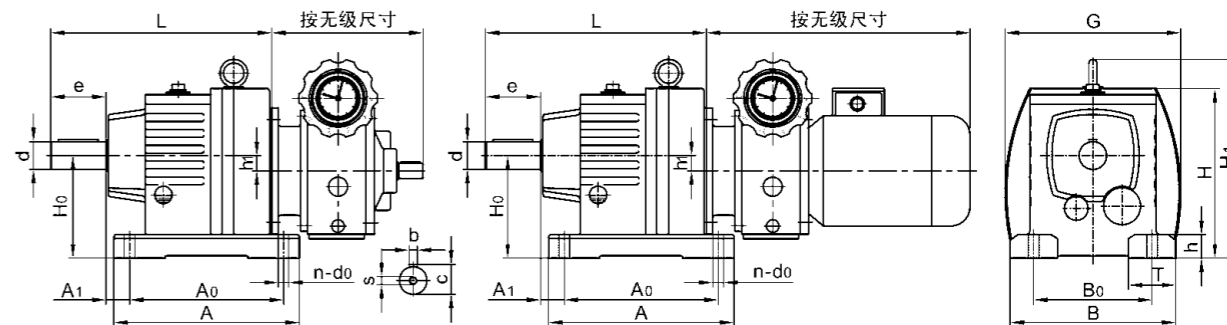
变速器机座号 Housing No. of gearbox	输入功率 (KW) Input power	减速机机座号 Housing No. of reducer	减速比 Reduction ratio									
			4435	3034	1966	1400	939	614	417	325	220	
			许用输出转矩 N.m Permissible output torque									
07	0.55	R97-R67					4300-3733	4300-2441	3684-1658			
	0.75						4300-3254	4300-2210	3589-1723			
15	1.1								4300-3316	4300-2584	3576-1749	
	1.5										4300-3446	4300-2332
40	2.2										4300-3499	
	3.0											
	4.0											
输出转速 r/min Output speed			0.046-0.23	0.066-0.33	0.1-0.5	0.14-0.7	0.21-1.05	0.32-1.6	0.48-2.4	0.6-3	0.9-4.5	

变速器机座号 Housing No. of gearbox	输入功率 (KW) Input power	减速机机座号 Housing No. of reducer	减速比 Reduction ratio									
			4464	2929	2073	1383	942	629	453	339	297	
			许用输出转矩 N.m Permissible output torque									
07	0.55	R137-R77					8000-5499	8000-3745	5557-2501			
	0.75						8000-7329	8000-4992	6946-3333	5003-2401		
15	1.1						8000-7488	8000-5000	7363-3601	5510-2694	4828-2361	
	1.5								8000-6669	8000-4803	7488-3594	6560-3149
40	2.2								8000-7204	8000-5391	8000-4723	
	3.0											
	4.0										8000-7188	8000-6298
输出转速 r/min Output speed			0.044-0.22	0.068-0.34	0.1-0.5	0.14-0.7	0.21-1.05	0.32-1.6	0.44-2.2	0.59-2.95	0.67-3.35	

变速器机座号 Housing No. of gearbox	输入功率 (KW) Input power	减速机机座号 Housing No. of reducer	减速比 Reduction ratio									
			4325	2898	1951	1329	889	619	426	326	214	
			许用输出转矩 N.m Permissible output torque									
15	1.1	R147-R87					13000-10568	13000-7070	10063-4920			
	1.5						13000-9426	13000-6563	9410-4516			
40	2.2								13000-9844	13000-6775	10369-5184	
	3.0								13000-9033	13000-6913	9454-4538	
40	4.0										13000-9505	12669-6240
	4.0											
输出转速 r/min Output speed			0.046-0.23	0.07-0.35	0.1-0.5	0.15-0.75	0.22-1.1	0.32-1.6	0.47-2.35	0.61-3.05	0.9-4.5	

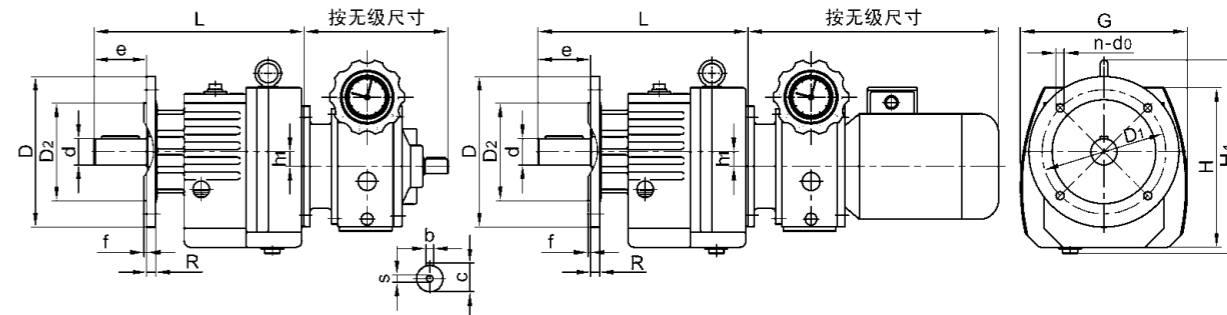
变速器机座号 Housing No. of gearbox	输入功率 (KW) Input power	减速机机座号 Housing No. of reducer	减速比 Reduction ratio									
			4325	2898	1951	1329	889	619	426	326	214	
			许用输出转矩 N.m Permissible output torque									
15	1.1	R167-R97					18000-15515	18000-10568	14453-7070			
	1.5						18000-14091	18000-9426	13673-6563			
40	2.2								18000-14139	18000-9844	13550-6775	
	3.0								18000-13125	18000-9033	14402-6913	
40	4.0										18000-12420	18000-9505
	4.0											
输出转速 r/min Output speed			0.046-0.23	0.07-0.35	0.1-0.5	0.15-0.75	0.22-1.1	0.32-1.6	0.47-2.35	0.61-3.05	0.9-4.5	

UD-R 系列外形及安装尺寸 | Overall & Installation Dimension of UD-R Series



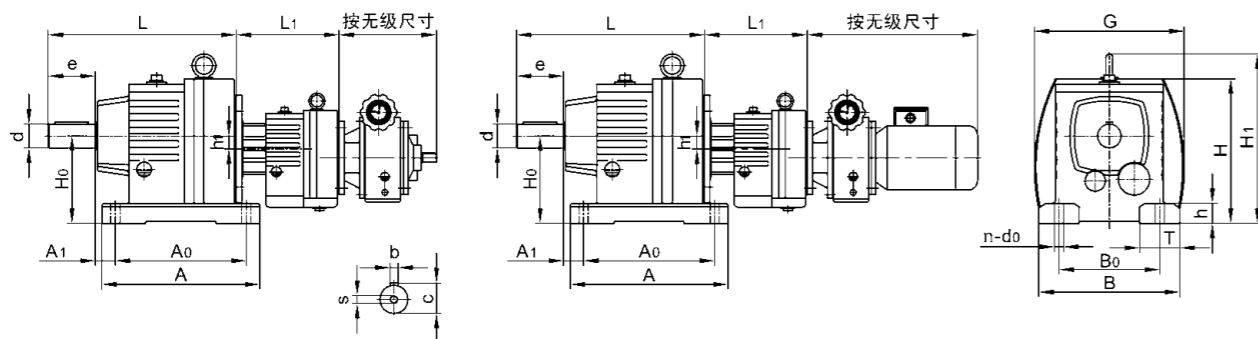
机座号 Housing No.	安装尺寸 Installation dimension					输出轴尺寸 Output shaft dimension					外形尺寸 Overall dimension					配置无级机座号 Installed stepless housing No.							
	H0	A1	A0	B0	n	d0	h1	d	e	b	c	s	A	B	T	h	H	H1	G	L			
37	90	27	130	110	4	9	5	25js6	50	8	28	M8	160	145	35	18	150	155	160	200	UD02	UD04	
47	115	30	165	135	4	13.5	15.5	30js6	60	8	33	M8	195	170	40	24	190	227	184	235	UD02	UD04	UD07
67	130	30	195	150	4	13.5	19.5	35js6	70	10	38	M10	235	210	60	30	215	252	220	280	UD04	UD07	UD15
77	140	35	205	170	4	17.5	10	40k6	80	12	43	M12	245	230	60	30	235	277	240	300	UD07	UD15	UD40
87	180	40	260	215	4	17.5	17	50k6	100	14	53.5	M12	310	290	75	45	300	342	306	372	UD07	UD15	UD40
97	225	40	310	250	4	22	11	60k6	120	18	64	M16	365	340	90	55	370	415	356	440	UD15	UD40	UD75
107	250	45	370	290	4	26	20	70m6	140	20	74.5	M20	440	405	110	65	408	475	410	495	UD40	UD75	UD150
137	315	50	410	340	4	33	25	90m6	170	25	95	M24	490	450	110	70	495	579	458	589	UD75	UD150	
147	355	50	500	380	4	39	33	110m6	210	28	116	M24	590	530	150	80	565	635	540	695	UD75	UD150	

UD-RF 系列外形及安装尺寸 | Overall & Installation Dimension of UD-RF Series



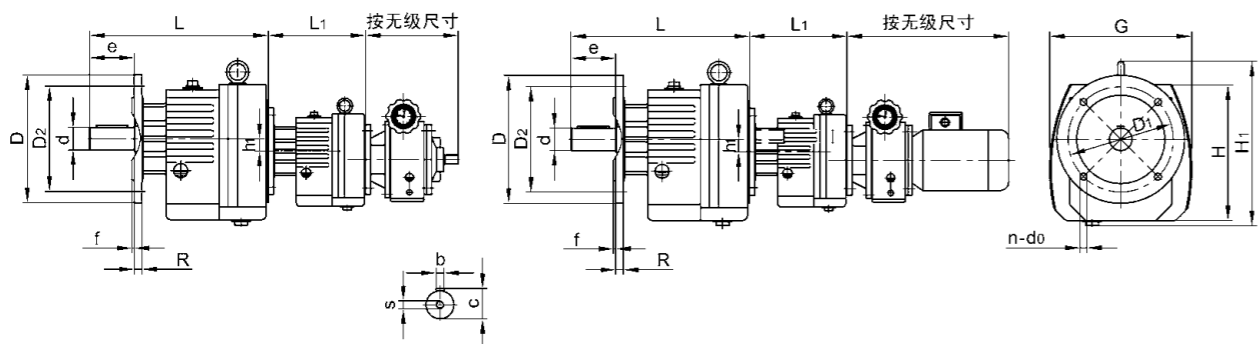
机座号 Housing No.	安装尺寸 Installation dimension					输出轴尺寸 Output shaft dimension					外形尺寸 Overall dimension					配置无级机座号 Installed stepless housing No.				
	D1	D2	f	n	d0	h1	d	e	b	c	s	D	R	H	H1	G	L			
37	100	80h7	3	4	7	5	25js6	50	8	28	M8	120	8	150	157	160	200	UD02	UD04	
47	130	110h7	3	4	9	15.5	30js6	60	8	33	M8	160	10	190	232	184	235	UD02	UD04	UD07
67	165	130h7	3.5	4	11	19.5	35js6	70	10	38	M10	200	12	214	256	220	280	UD04	UD07	UD15
77	215	180h7	4	4	13.5	10	40k6	80	12	43	M12	250	15	231	278	240	300	UD07	UD15	UD40
87	265	230h7	5	4	13.5	17	50k6	100	14	53.5	M12	300	16	296	353	306	372	UD07	UD15	UD40
97	300	250h7	5	4	17.5	11	60k6	120	18	64	M16	350	18	365	415	356	440	UD15	UD40	UD75
107	300	250h7	5	4	17.5	20	70m6	140	20	74.5	M20	350	20	413	485	410	495	UD40	UD75	UD150
	400	350h7										450	22							
137	400	350h7	5	8	17.5	25	90m6	170	25	95	M24	450	22	500	590	458	589	UD75	UD150	
	500	450h7										550	25							
147	400	350h7	5	8	17.5	33	110m6	210	28	116	M24	450	22	571	650	540	695	UD75	UD150	
	500	450h7										550	25							

UD-R-R 系列外形及安装尺寸 | Overall & Installation Dimension of UD-R-R Series



机座号 Housing No.	安装尺寸 Installation dimension				输出轴尺寸 Output shaft dimension					外形尺寸 Overall dimension										配置无级 机座号 Installed stepless housing No.				
	H0	A1	A0	B0	n	d0	h1	d	e	b	c	s	A	B	T	h	H	H1	G	L	L1			
R47-R37	115	30	165	135	4	13.5	15.5	30js6	60	8	33	M8	195	170	40	24	190	227	184	235	150	UD02	UD04	
R67-R37	130	30	195	150	4	13.5	19.5	35js6	70	10	38	M10	235	210	60	30	215	252	220	280	150	UD02	UD04	
R77-R37	140	35	205	170	4	17.5	10	40k6	80	12	43	M12	245	230	60	30	235	277	240	300	150	UD02	UD04	
R87-R47	180	40	260	215	4	17.5	17	50k6	100	14	53.5	M12	310	290	75	45	300	342	306	372	175	UD02	UD04	UD07
R97-R67	225	40	310	250	4	22	11	60k6	120	18	64	M16	365	340	90	55	370	415	356	440	210	UD04	UD07	UD15
R107-R77	250	45	370	290	4	26	20	70m6	140	20	74.5	M20	440	405	110	65	408	475	410	495	220	UD07	UD15	UD40
R137-R77	315	50	410	340	4	33	25	90m6	170	25	95	M24	490	450	110	70	495	579	458	589	220	UD07	UD15	UD40
R147-R87	355	50	500	380	4	39	33	110m6	210	28	116	M24	590	530	150	80	565	635	540	695	272	UD15	UD40	
R167-R97	425	60	580	500	4	39	60	120m6	210	32	127	M24	670	660	160	100	675	745	670	790	320	UD40	UD75	

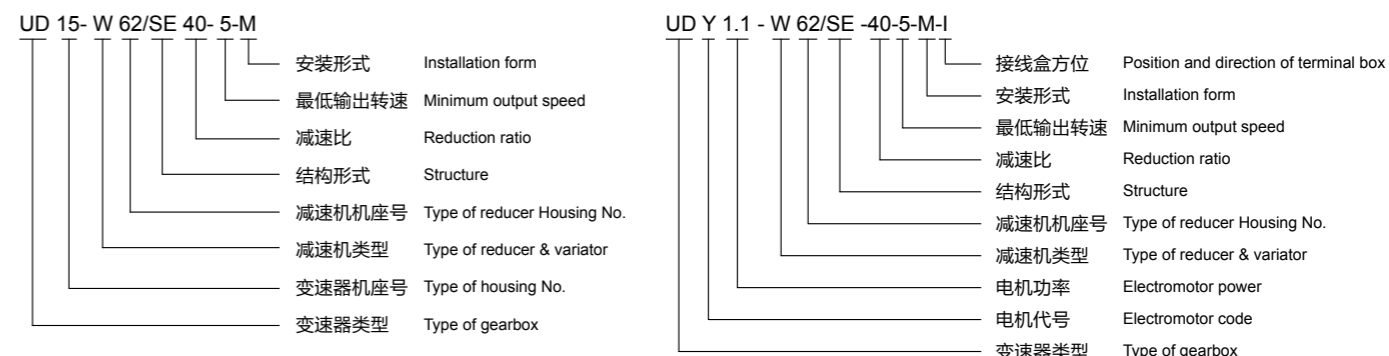
UD-RF-R 系列外形及安装尺寸 | Overall & Installation Dimension of UD-RF-R Series



机座号 Housing No.	安装尺寸 Installation dimension				输出轴尺寸 Output shaft dimension					外形尺寸 Overall dimension										配置无级 机座号 Installed stepless housing No.	
	D1	D2	f	n	d0	h1	d	e	b	c	s	D	R	H	H1	G1	L	L1			
R47-R37	130	110h7	3	4	9	15.5	30js6	60	8	33	M8	160	10	190	232	184	235	150	UD02	UD04	
R67-R37	165	130h7	3.5	4	11	19.5	35js6	70	10	38	M10	200	12	214	256	220	280	150	UD02	UD04	
R77-R37	215	180h7	4	4	13.5	10	40k6	80	12	43	M12	250	15	231	278	240	300	150	UD02	UD04	
R87-R47	265	230h7	5	4	13.5	17	50k6	100	14	53.5	M12	300	16	296	353	306	372	175	UD02	UD04	UD07
R97-R67	300	250h7	5	4	17.5	11	60k6	120	18	64	M16	350	18	365	415	356	440	210	UD04	UD07	UD15
R107-R77	300 400	250h7 350h7	5	4 8	17.5	20	70m6	140	20	74.5	M20	350 450	20 22	413	485	410	495	220	UD07	UD15	UD40
R137-R77	400 500	350h7 450h7	5	8	17.5	25	90m6	170	25	95	M24	450 550	22 25	500	590	458	589	220	UD07	UD15	UD40
R147-R87	400 500	350h7 450h7	5	8	17.5	33	110m6	210	28	116	M24	450 550	22 25	571	650	540	695	272	UD15	UD40	
R167-R97	500 600	450H7 550H7	5 6	8	17.5 22	60	120m6	210	32	127	M24	550 660	25 28	680	740	670	790	320	UD40	UD75	

UD-W(WS) 系列型号规格表示方式

Denotation of Specification & Dimension of UD-W(WS) Series



变速器类型 Type of gearbox	电机代号 Electromotor code	电机功率 Electromotor power	减速机类型 Type of reducer & variator	减速机机座号 Type of reducer Housing No.	结构形式 Structure	减速比 Reduction ratio	最低输出转速 Minimum output speed	安装形式 Installation form	接线盒方位 Position and direction of terminal box	变速器机座号 Housing No. of gearbox
行星锥盘 无级变速器 UD Planetary cone-ring stepless variator UD	普通 Y <sub>2</sub> Normal Y <sub>2</sub>	见选型 参数表 See selections Parameter list	W (WS) 斜齿-蜗轮 蜗杆减速机 W (WS) Inclined gear-worm gear reducer	见选型 参数表 See selections Parameter list	轴装式 SE Shaft-mounted SE	见选型 参数表 See selections Parameter list	见选型 参数表 See selections Parameter list	见表 P86	见表 P6	见选型 参数表 See selections Parameter list
	防爆 B Explosion protection B				轴伸 法兰式 SK Shaft extended & flange-mounted SK					
	制动 E Brake E				轴装法兰式 SF Shaft & flange mounted SF					
	变频 V Frequency conversion V									
	变频制动 VE Brake by frequency conversion VE									
	多速 D Multi-speed D									
分马力 F Fractional horsepower F										

UD-W(WS) 系列选型参数表 | Parameter List Selections of UD-W(WS) Series

变速器机座号 Housing No. of gearbox	输入功率 (KW) Input power	减速机机座号 Housing No. of reducer	减速比 Reduction ratio																
			116	93	70	64	50	40	28	20	17.5	14	11.7	9.3					
02	0.18	W42	139-90	139-73	116-58	110-55	92-46												
			139-120	139-97	139-77	139-73	130-62	104-50	86-41										
					139-116	139-109	139-93	139-74	126-61	90-44	80-39								
04	0.25	WS42	139	139-111	139-88	139-84	138-71	114-57	94-47										
				139-105	139-123	139-116	139-99	139-79	130-65	94-47	82-41								
07	0.37	WS42								139-112	139-92	139-66	130-58	113-51	93-42	74-33			
											139-122	139-87	139-78	139-68	117-56	93-44			
											139-128	139-106	139-75	134-67	118-59	96-48	76-38		
四极 4-pole	输出转速 r/min Output speed		1.7-8.5	2.2-11	2.8-14	3-15	4-20	5-25	7-35	10-50	11-55	14-70	17-85	22-110					
六极 6-pole	输出转速 r/min Output speed		1.1-5.5	1.5-7.5	1.9-9.5	2-10	2.7-13.5	3.3-16.5	4.7-23.5	6.7-33.5	7-35	9-45	11-55	15-75					



变速器机座号 Housing No. of gearbox	输入功率 (KW) Input power	减速机机座号 Housing No. of reducer	减速比 Reduction ratio															
			118	96	71	67	50	41	30	20	17	14	12	10				
			许用输出转矩 N.m Permissible output torque															
02	0.18	W52 WS52	194-97	166-83	144-72	140-70												
04	0.25		264-130	233-111	202-96	196-94	147-70											
	0.37		264-195	264-167	264-145	264-140	217-105	180-87										
04	0.18		264-149	256-128	222-111	216-108	160-80											
	0.25		264-207	264-178	264-154	264-150	224-112	186-93	140-70									
07	0.55			264-250	264-217	264-211	264-158	264-131	219-99	150-68								
	0.75						264-210	264-175	264-131	187-90	161-78	140-67						
07	0.37				264-251	264-243	264-182	264-151	228-114	156-78								
	0.55						264	264-218	264-164	224-112	194-97	168-84	148-74					
四极 4-pole	输出转速 r/min Output speed			1.7-8.5	2.1-10.5	2.8-14	3-15	4-20	5-25	7-35	10-50	12-60	14-70	17-85	20-100			
六极 6-pole	输出转速 r/min Output speed			1.1-5.5	1.4-7	1.9-9.5	2-10	2.7-13.5	3.3-16.5	4.7-23.5	6.7-33.5	8-40	9-45	11-55	13-65			

变速器机座号 Housing No. of gearbox	输入功率 (KW) Input power	减速机机座号 Housing No. of reducer	减速比 Reduction ratio															
			129	115	93	67	50	41	25	20	17.5	14.5	12	10				
			许用输出转矩 N.m Permissible output torque															
04	0.25	W62 WS62	308-147	284-136														
	0.37		455-220	420-203	357-173													
04	0.18		338-169	312-156	266-133													
	0.25		470-235	434-217	368-184	266-133												
07	0.55		517-330	517-305	517-260	415-187	350-158	291-131										
	0.75		517-441	517-407	517-346	517-249	437-210	363-175										
07	0.37		517-382	517-353	517-300	432-216	364-182	302-151										
	0.55			517-509	517-432	517-311	517-262	436-218	284-142									
15	1.1					517-374	517-315	517-262	350-171	294-144	257-126	218-107	181-89	152-75				
	1.5					517-498	517-420	517-349	475-228	400-192	350-168	297-142	246-118	207-100				
15	0.75					517-415	517-350	517-291	398-190	336-160	294-140	250-119	206-98	174-83				
	1.1						517-490	517-407	517-266	448-224	392-196	332-166	276-138	232-116				
四极 4-pole	输出转速 r/min Output speed		1.5-7.5	1.7-8.5	2.2-11	3-15	4-20	5-25	8-40	10-50	11-55	14-70	17-85	20-100				
六极 6-pole	输出转速 r/min Output speed		1-5	1.1-5.5	1.5-7.5	2-10	2.7-13.5	3.3-16.5	5-25	6.7-33.5	7-35	9-45	11-55	13-65				

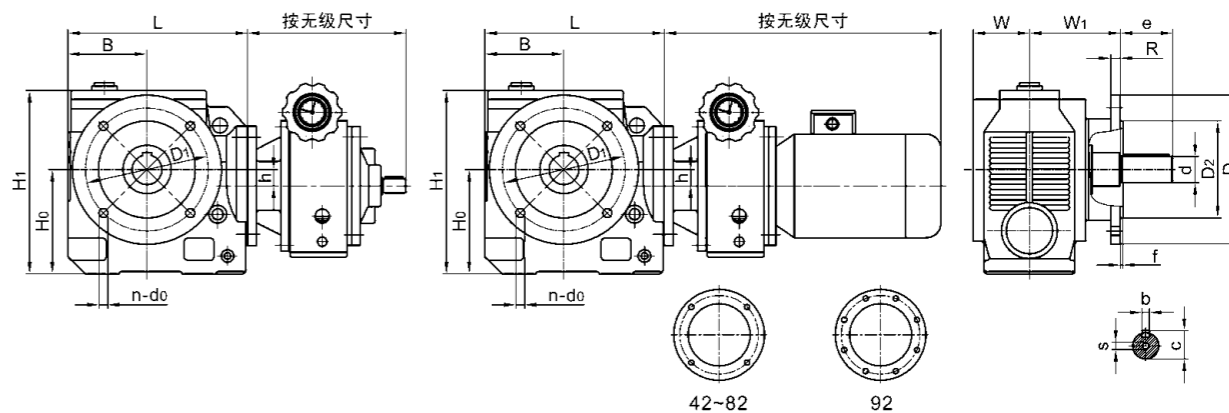
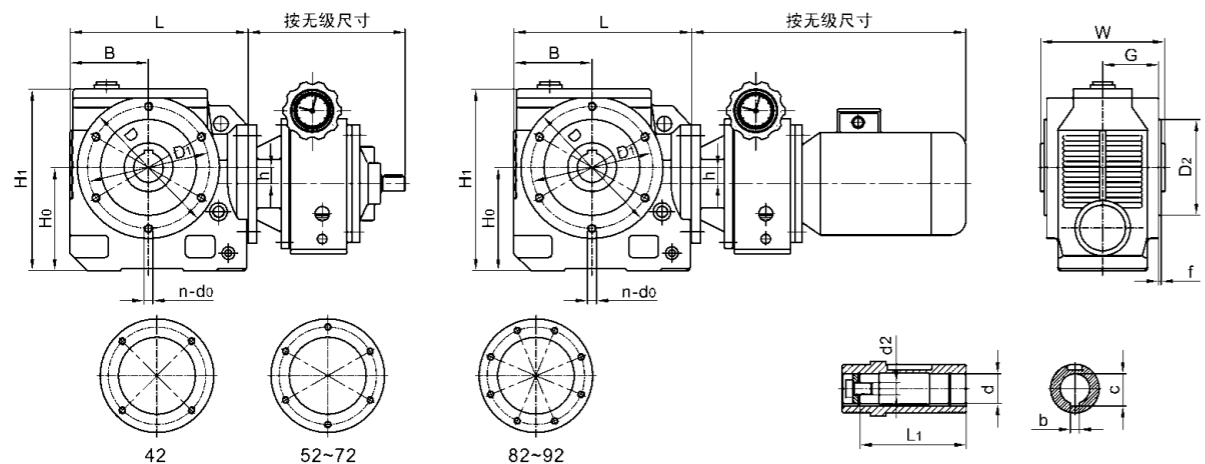
变速器机座号 Housing No. of gearbox	输入功率 (KW) Input power	减速机机座号 Housing No. of reducer	减速比 Reduction ratio														
			122	114	97	65	50	40	28	20	17.5	14	12	10			
			许用输出转矩 N.m Permissible output torque														
07	0.55	W72 WS72	732-329	684-308	611-275												
	0.75		915-439	855-410	763-366	560-269											
07	0.37		760-380	710-355	636-318												
	0.55		1072-549	1026-513	916-458	672-336	540-270										
15	1.1		1072-659	1072-616	1072-550	825-403	662-324	552-270									
	1.5		1072-878	1072-820	1072-733	1072-538	900-432	750-360	539-258								
15	0.75		1072-732	1072-684	1072-611	941-448	756-360	630-300									
	1.1		1072-1024	1072-957	1072-855	1072-628	1008-504	840-420	602-301								
40	2.2					1072-807	1072-648	1072-540	776-388	582-291	516-258	418-209	358-179	302-151			
	3						1072-864	1072-720	1072-517	810-405	717-344	580-279	498-239	420-202			
40	1.5						1072-852	1072-684	1072-570	818-409	616-308	544-272	440-220	378-189	320-160		
	2.2						1072-1008	1072-840	1072-603	906-453	804-402	650-325	556-278	470-235			
四极 4-pole	输出转速 r/min Output speed		1.6-8	1.7-8.5	2-10	3-15	4-20	5-25	7-35	10-50	11-55	14-70	17-85	20-100			
六极 6-pole	输出转速 r/min Output speed		1-5	1.1-5.5	1.3-6.5	2-10	2.7-13.5	3.3-16.5	4.7-23.5	6.7-33.5	7-35	9-45	11-55	13-65			

变速器机座号 Housing No. of gearbox	输入功率 (KW) input power	减速机机座号 Housing No. of reducer	减速比 Reduction ratio														
			127	108	93	70	50	41	28	22	18	15	12	10			
			许用输出转矩 N.m Permissible output torque														
15	四极	1.1	1519-743	1291-632	1146-560												
		1.5	1752-990	1752-842	1557-748	1277-613											
	六极	0.75	1733-826	1474-702	1308-623	1073-511											
		1.1	1752-1155	1752-983	1744-872	1430-715	1092-546										
40	四极	2.2	1752-1485	1752-1263	1752-1121	1752-920	1404-702	1166-583									
		3		1752-1685	1752-1495	1752-1226	1752-936	1620-777	1106-530								
	六极	4				1752-1686	1752-1287	1752-1069	1482-730	1179-581							
		1.5		1752-1334	1752-1184	1752-971	1482-741	1230-615									
75	四极	2.2			1752	1752-1431	1752-1092	1752-907	1238-619								
		5.5						1752-1458	1752-995	1619-792	1374-672	1145-560	916-448	791-387			
四极 4-pole	输出转速 r/min Output speed		7.5						1752-1350	1752-1073	1752-911	1556-760	1245-607	1075-525			
			1.5-7.5	1.8-9	2.2-11	2.8-14	4-20	5-25	7-35	9-45	11-55	13-65	17-85	20-100			
六极 6-pole	输出转速 r/min Output speed		1-5	1.2-6	1.5-7.5	1.9-9.5	2.7-13.5	3.3-16.5	4.7-23.5	6-30	7-35	8.5-42.5	11-55	13-65			

变速器机座号 Housing No. of gearbox	输入功率 (KW) Input power	减速机机座号 Housing No. of reducer	减速比 Reduction ratio														
			127	108	93	70	50	41	28	22	18	15	12	10			
			许用输出转矩 N.m Permissible output torque														
40	四极	2.2	2970-1485	2526-1263	2242-1121	1840-920											
		3	3850-1981	3510-1685	3115-1495	2555-1226	1950-936										
	六极	4	3850-2724	3850-2317	3850-2056	3423-1686	2613-1287	2170-1069									
		1.5	3136-1568	2668-1334	2368-1184	1942-971											
75	四极	2.2	3850-2311	3850-1965	3490-1745	2862-1431	2184-1092	1814-907									
		5.5	3850-3715	3850-3159	3850-2804	3850-2300	3588-1755	2980-1458	2035-995								
四极 4-pole	输出转速 r/min Output speed		7.5			3850-3800	3850-3117	3850-2379	3850-1975	2765-1350	2200-1073	1867-911					
			1.5-7.5	1.8-9	2.2-11	2.8-14	4-20	5-25	7-35	9-45	11-55	13-65	17-85	20-100			
六极 6-pole	输出转速 r/min Output speed		1-5	1.2-6	1.5-7.5	1.9-9.5	2.7-13.5	3.3-16.5	4.7-23.5	6-30	7-35	8.5-42.5	11-55	13-65			

UD-W/SE 系列外形及安装尺寸 | Overall & Installation Dimension of UD-W/SE Series

UD-W/SK 系列外形及安装尺寸 | Overall & Installation Dimension of UD-W/SK Series

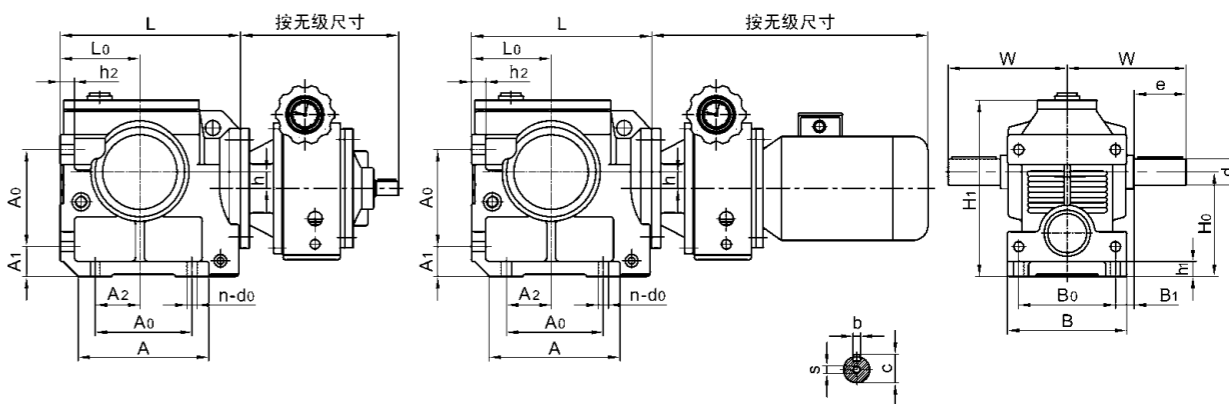
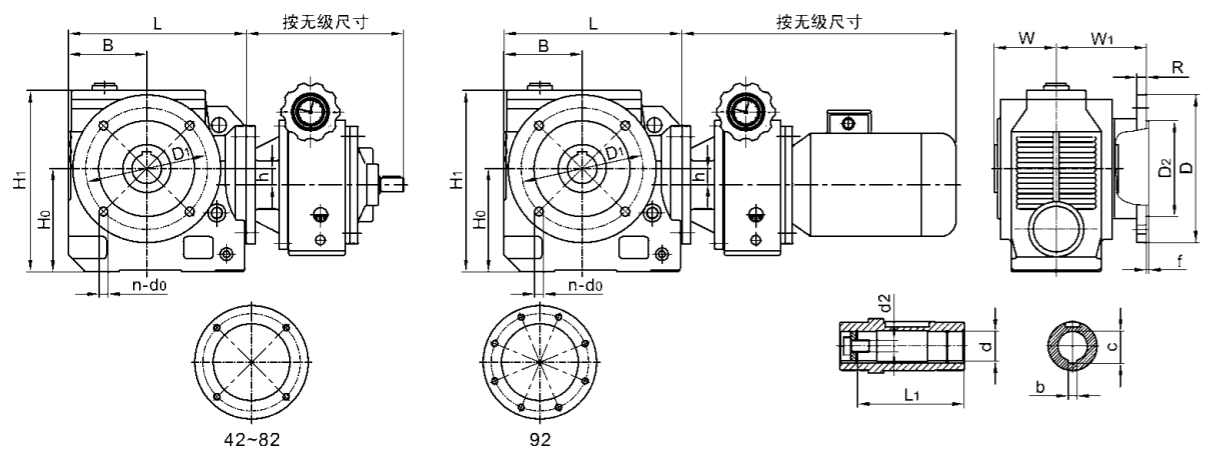


机座号 Housing No.	安装尺寸 Installation dimension							输出轴尺寸 Output shaft dimension					外形尺寸 Overall dimension						配置无级 机座号 Installed stepless housing No.
	H <sub>0</sub>	D <sub>1</sub>	D <sub>2</sub>	h	f	n	d <sub>0</sub>	d	b	c	L <sub>1</sub>	d <sub>2</sub>	D	G	W	B	H <sub>1</sub>	L	
42	100	115	95h7	11	3	4	M8	30H7	8	33.3	105	M10	135	55	120	75	180	171	UD02 UD04 UD07
52	112	130	110h7	24	3.5	6	M8	35H7	10	38.3	132	M12	150	70	150	80	197	187	UD02 UD04 UD07
62	140	165	130h7	24	3.5	6	M10	40H7	12	43.3	144	M16	190	75	168	106	246	241	UD04 UD07 UD15
72	180	215	180h7	33	4	6	M12	50H7	14	53.8	180	M20	240	97	210	125	315	287	UD07 UD15 UD40
82	225	265	230h7	40	4	8	M12	60H7	18	64.4	220	M20	292	120	250	150	385	340	UD15 UD40 UD75
92	280	350	300h7	53	5	8	M16	70H7	20	74.9	260	M24	384	140	290	180	490	420	UD40 UD75

机座号 Housing No.	安装尺寸 Installation dimension							输出轴尺寸 Output shaft dimension					外形尺寸 Overall dimension						配置无级 机座号 Installed stepless housing No.	
	H <sub>0</sub>	h	D <sub>1</sub>	D <sub>2</sub>	f	W <sub>1</sub>	n	d <sub>0</sub>	d	e	b	c	s	D	R	W	B	H <sub>1</sub>		L
42	100	11	130	110h7	3.5	84	4	10	25js6	50	8	28	M8	160	10	120	75	180	171	UD02 UD04 UD07
52	112	24	165	130h7	3.5	100	4	12	30js6	60	8	33	M10	200	12	150	80	197	187	UD02 UD04 UD07
62	140	24	165	130h7	3.5	122	4	12	35js6	70	10	38	M12	200	12	168	106	246	241	UD04 UD07 UD15
72	180	33	215	180h7	4	140	4	14	45js6	90	14	48.5	M16	250	14	210	125	315	287	UD07 UD15 UD40
82	225	40	300	250h7	5	160	4	18	60k6	120	18	64	M20	350	18	250	150	385	340	UD15 UD40 UD75
92	280	53	400	350h7	5	190	8	18	70k6	140	20	74.5	M20	450	20	290	180	490	420	UD40 UD75

UD-W/SF 系列外形及安装尺寸 | Overall & Installation Dimension of UD-W/SF Series

UD-WS 系列外形及安装尺寸 | Overall & Installation Dimension of UD-WS Series



机座号 Housing No.	安装尺寸 Installation dimension							输出轴尺寸 Output shaft dimension					外形尺寸 Overall dimension						配置无级 机座号 Installed stepless housing No.	
	H <sub>0</sub>	h	D <sub>1</sub>	D <sub>2</sub>	f	W <sub>1</sub>	n	d <sub>0</sub>	d	b	c	L <sub>1</sub>	d <sub>2</sub>	D	R	W	B	H <sub>1</sub>		L
42	100	11	130	110h7	3.5	84	4	10	30H7	8	33.3	105	M10	160	10	120	75	180	171	UD02 UD04 UD07
52	112	24	165	130h7	3.5	100	4	12	35H7	10	38.3	132	M12	200	12	150	80	197	187	UD02 UD04 UD07
62	140	24	165	130h7	3.5	122	4	12	40H7	12	43.3	144	M16	200	12	168	106	246	241	UD04 UD07 UD15
72	180	33	215	180h7	4	140	4	14	50H7	14	53.8	180	M20	250	14	210	125	315	287	UD07 UD15 UD40
82	225	40	300	250h7	4	170	4	18	60H7	18	64.4	220	M20	350	18	250	150	385	340	UD15 UD40 UD75
92	280	53	400	350h7	5	200	8	18	70H7	20	74.9	260	M24	450	20	290	180	490	420	UD40 UD75

机座号 Housing No.	安装尺寸 Installation dimension							输出轴尺寸 Output shaft dimension					外形尺寸 Overall dimension						配置无级 机座号 Installed stepless housing No.				
	H <sub>0</sub>	A <sub>0</sub>	B <sub>0</sub>	A <sub>1</sub>	A <sub>2</sub>	B <sub>1</sub>	L <sub>0</sub>	n	d <sub>0</sub>	h	d	e	b	c	s	A	B	w		h <sub>1</sub>	h <sub>2</sub>	H <sub>1</sub>	L
42	100	80	100	35	35	15	75	8	11	11	25js6	50	8	28	M8	120	120	115	15	12	166	171	UD02 UD04 UD07
52	112	100	110	35	45	19	80	8	11	24	30js6	60	8	33	M10	130	136	134	15	12	189	187	UD02 UD04 UD07
62	140	130	130	40	60	25	106	8	14	24	35js6	70	10	38	M12	175	160	160	20	15	236	241	UD04 UD07 UD15
72	180	135	150	70	75	30	125	8	18	33	45js6	90	14	48.5	M16	204	185	195	25	25	301	287	UD07 UD15 UD40
82	225	180	200	82	92	35	150	8	22	40	60k6	120	18	64	M20	247	250	255	30	30	368	340	UD15 UD40 UD75
92	280	235	250	90	115	30	180	8	26	53	70k6	140	20	74.5	M20	320	300	295	35	35	455	420	UD40 UD75

UD-WJ 系列型号规格表示方式

Denotation of Specification & Dimension of UD-WJ Series

UD Y 1.5 - WJ 87 / S - 40 - 5 - M - I



- 接线盒方位 Position and direction of terminal box
- 安装形式 Installation form
- 最低输出转速 Minimum output speed
- 减速比 Reduction ratio
- 结构形式 Structure
- 减速机机座号 Type of reducer Housing No.
- 减速机类型 Type of reducer & variator
- 电机功率 Electromotor power
- 电机代号 Electromotor code
- 变速器类型 Type of gearbox

变速器类型 Type of gearbox	电机代号 Electromotor code	电机功率 Electromotor power	减速机类型 Type of reducer & variator	减速机机座号 Type of reducer Housing No.	结构形式 Structure	减速比 Reduction ratio	最低输出转速 Minimum output speed	安装形式 Installation form	接线盒方位 Position and direction of terminal box
行星锥盘 无级变速器 UD Planetary cone-ring stepless variator UD	普通 Y <sub>2</sub> Normal Y <sub>2</sub>	见选型 参数表 See selections Parameter list	蜗轮蜗杆 减速机 Worm gear reducer	见选型 参数表 See selections Parameter list	轴装式 S Shaft-mounted S	见选型 参数表 See selections Parameter list	见选型 参数表 See selections Parameter list	见表 P188 See the table P188	见表 P6 See the table P6
	防爆 B Explosion protection B				轴装式 x Shaft-mounted X				
	制动 E Brake E				轴装式 sh Shaft-mounted sh				
	变频 V Frequency conversion V				轴伸法兰式 pc Shaft & flange-mounted pc				
	变频制动 VE Brake by frequency conversion VE				轴装法兰式 pd Shaft & flange mounted pd				
	多速 D Multi-speed D								
分马力 F Fractional horsepower F									

UD-WJ 系列选型参数表 | Parameter List Selections of UD-WJ Series

变速器机座号 Housing No. of gearbox	输入功率 (KW) Input power	减速机机座号 Housing No. of reducer	减速比 Reduction ratio				
			36	27	18	13.5	7
02	0.18	WJ49	54-27	50-25	36-18	28-14	19-9
04	四极 0.25		76-36	70-33	51-24	40-19	25-12
	0.37		112-54	104-50	76-37	59-29	36-17
	六极 0.18		82-41	41-78-39	56-28	44-22	28-14
	0.25		116-58	108-54	78-39	62-31	38-19
四极 4-pole	输出转速 r/min Output speed		5.5-27.5	7.5-37.5	11-55	15-75	28-140
六极 6-pole	输出转速 r/min Output speed	3.6-18	5-25	7-35	10-50	19-95	

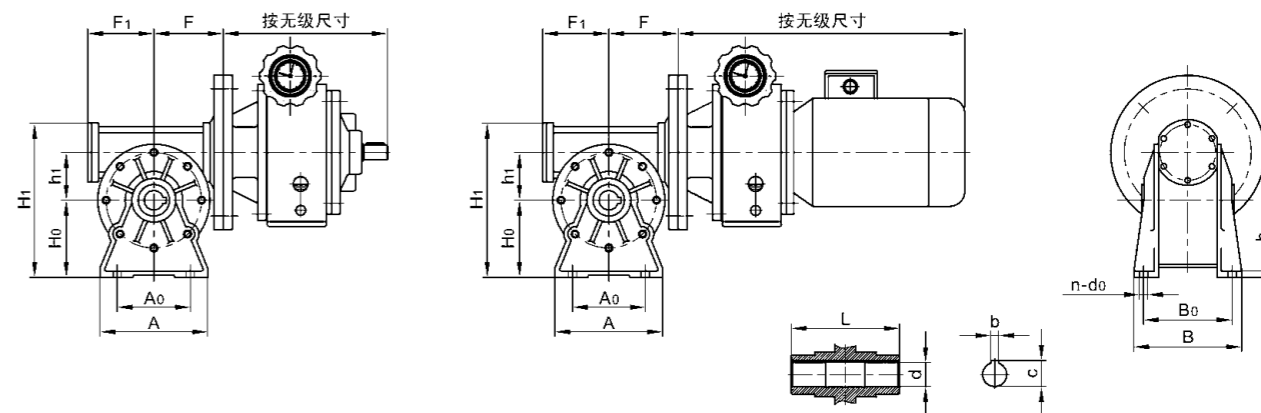
  

变速器机座号 Housing No. of gearbox	输入功率 (KW) Input power	减速机机座号 Housing No. of reducer	减速比 Reduction ratio				
			49	37	19	14.5	7.5
04	四极 0.37	WJ62	158-76	126-61	82-40	63-30	39-19
	六极 0.25		162-81	130-65	86-43	66-33	40-20
07	四极 0.55		255-115	204-92	133-60	102-46	63-29
	0.75		300-153	254-122	166-80	127-61	79-38
六极 0.37	264-132		212-106	138-69	106-53	66-33	
	0.55		300-191	300-152	200-100	152-76	94-47
15	四极 1.1		300-229	300-183	244-119	186-91	116-57
	0.75		300-255	300-203	279-133	213-102	132-63
四极 4-pole	输出转速 r/min Output speed		4-20	5.5-27.5	11-55	14-70	27-135
六极 6-pole	输出转速 r/min Output speed		2.7-13.5	3.6-18	7-35	9-45	18-90

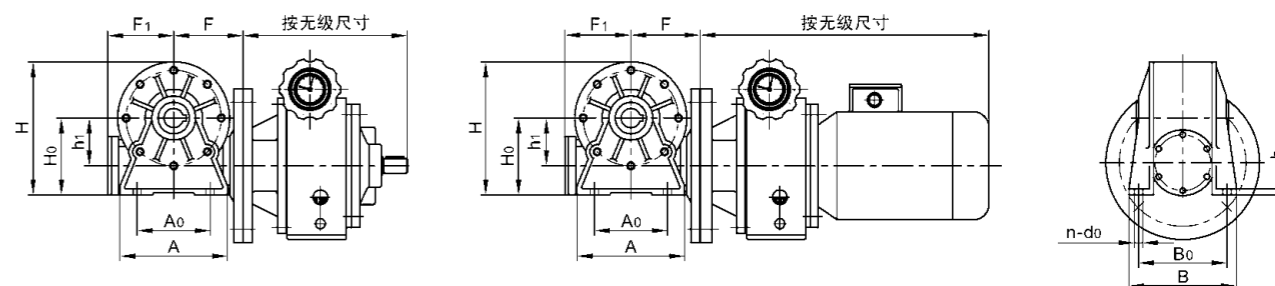
  

变速器机座号 Housing No. of gearbox	输入功率 (KW) Input power	减速机机座号 Housing No. of reducer	减速比 Reduction ratio			
			40	23	19	8
07	四极 0.75	WJ87	310-149	201-96	166-80	84-40
	六极 0.55		372-186	242-121	200-100	100-50
15	四极 1.1		456-223	296-145	244-119	124-61
	1.5		600-298	402-193	332-160	168-81
六极 0.75	520-248		338-161	279-133	141-67	
	1.1		600-347	450-225	372-186	188-94
四极 4-pole	输出转速 r/min Output speed		5-25	9-45	11-55	25-125
六极 6-pole	输出转速 r/min Output speed		3.3-16.5	6-30	7-35	17-85

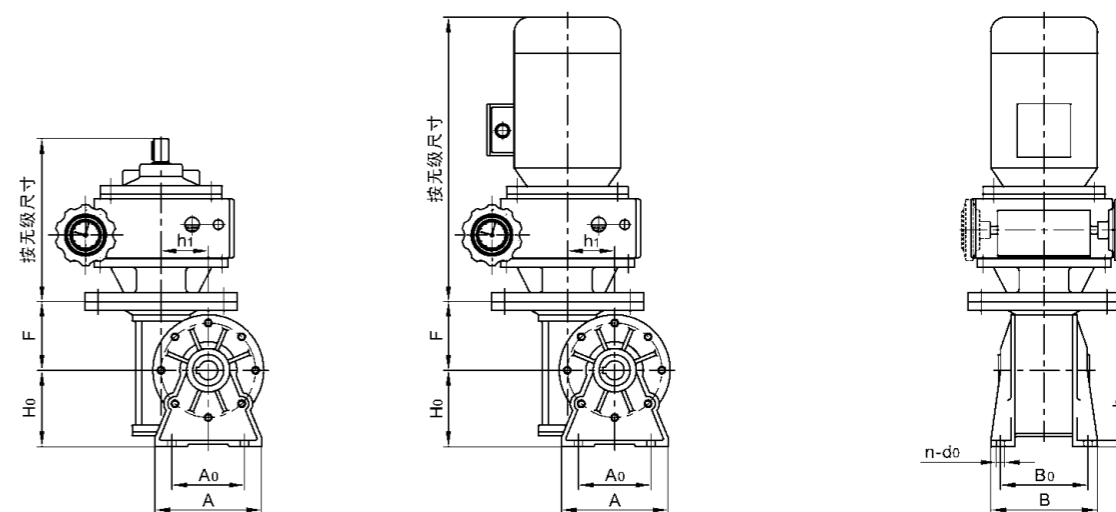
UD-WJ/s... 型 | UD-WJ/s... Type



UD-WJ/x... 型 | UD-WJ/x... Type



UD-WJ/sh... 型 | UD-WJ/sh... Type



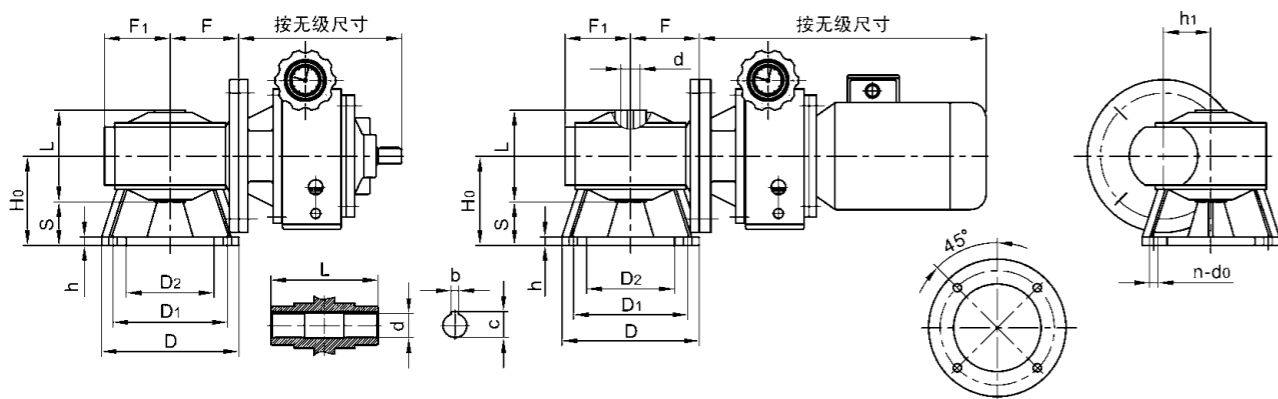
UD-WJ/s、UD-WJ/x、UD-WJ/sh 系列外形及安装尺寸

Overall & Installation Dimension of UD-WJ/s, UD-WJ/x, UD-WJ/sh Series

机座号 Housing No.	安装尺寸 Installation dimension					输出轴尺寸 Output shaft dimension					外形尺寸 Overall dimension					配置无级机座号 Installed stepless housing No.		
	H <sub>0</sub>	A <sub>0</sub>	B <sub>0</sub>	n	d <sub>0</sub>	h <sub>1</sub>	d	L	b	c	A	B	h	H	H <sub>1</sub>		F	F <sub>1</sub>
49	82	64	98	4	9	49	25H7	82	8	28.3	110	124	12	138	162	68	64	UD02 UD04
62	100	95	115	4	11	62	25H7	120	8	28.3	140	140	12	176	199	90	86	UD04 UD07 UD15
87	142	140	146	4	13	87	35H7	140	10	38.3	200	182	14	248	280	121	116	UD07 UD15

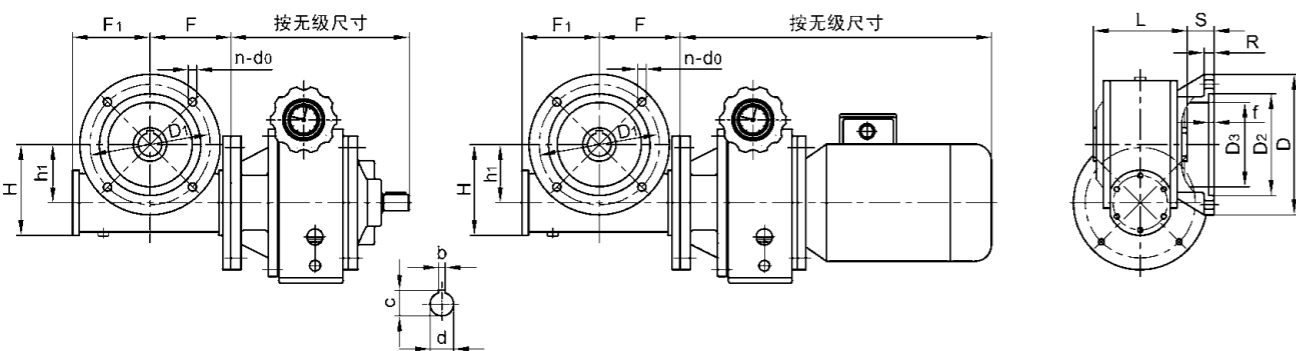


UD-WJ/pc 系列外形及安装尺寸 | Overall & Installation Dimension of UD-WJ/pc Series



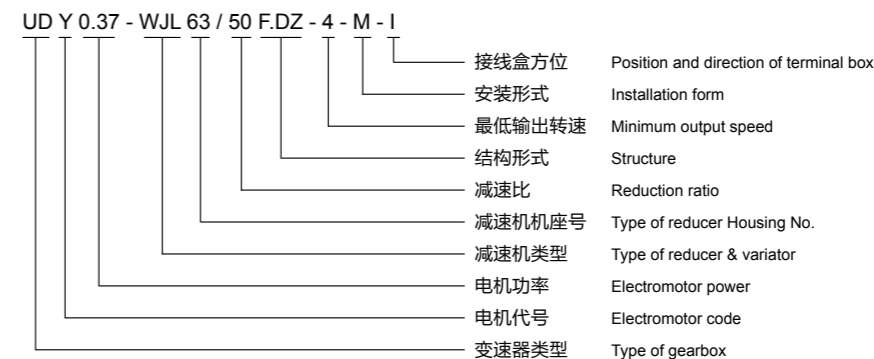
机座号 Housing No.	安装尺寸 Installation dimension							输出轴尺寸 Output shaft dimension				外形尺寸 Overall dimension					配置无级机座号 Installed stepless housing No.
	H0	D1	D2	n	d0	h1	S	d	L	b	c	D	h	F	F1		
49	85	105	70H8	4	9	49	44	25H7	82	8	28.3	125	10	68	64	UD02 UD04	
62	117	150	115H8	4	11	62	57	25H7	120	8	28.3	180	11	90	86	UD04 UD07 UD15	
87	150	180	152H8	4	13	87	80	35H7	140	10	38.3	210	15	121	116	UD07 UD15	

UD-WJ/pd 系列外形及安装尺寸 | Overall & Installation Dimension of UD-WJ/pd Series



机座号 Housing No.	安装尺寸 Installation dimension							输出轴尺寸 Output shaft dimension				外形尺寸 Overall dimension					配置无级机座号 Installed stepless housing No.	
	D1	D2	f	n	d0	h1	S	d	L	b	c	D	D3	R	F	F1		H
62	130	110H8	4	4	11	62	26	25H7	120	8	28.3	150	80	12	90	86	98	UD04 UD07 UD15
87	180	152H8	8	4	13	87	40.5	35H7	140	10	38.3	210	125	15	121	116	138	UD07 UD15

UD-WJL 系列型号规格表示方式  
Denotation of Specification & Dimension of UD-WJL Series



变速器类型 Type of gearbox	电机代号 Electromotor code	电机功率 Electromotor power	减速机类型 Type of reducer & variator	减速机机座号 Type of reducer Housing No.	减速比 Reduction ratio	结构形式 Structure	最低输出转速 Minimum output speed	安装形式 Installation form	接线盒方位 Position and direction of terminal box
行星锥盘 无级变速器 UD Planetary cone-ring stepless variator UD	普通 Y <sub>2</sub> Normal Y <sub>2</sub>	见选型 参数表 See selections Parameter list	铝合金 蜗轮蜗杆 减速机 aluminum alloy worm gear reducer	见选型 参数表 See selections Parameter list	见选型 参数表 See selections Parameter list	轴装式 (省略) shaft mounted (omitted)	见选型 参数表 See selections Parameter list	见表 P87 See the table P87	见表 P6 See the table P6
	防爆 B Explosion protection B					单轴伸式 DZ List shaft extended mounted DZ			
	制动 E Brake E					双轴伸式 SZ Double shaft extended mounted SZ			
	变频 V Frequency conversion V					轴装法兰式 F shaft & flange mounted F			
	变频制动 VE Brake by frequency conversion VE					单轴伸法兰式 F.DZ List shaft extended & flange mounted DZ			
	多速 D Multi-speed D								
	分马力 F Fractional horsepower F								

UD-WJL 系列选型参数表 | Parameter List Selections of UD-WJL Series

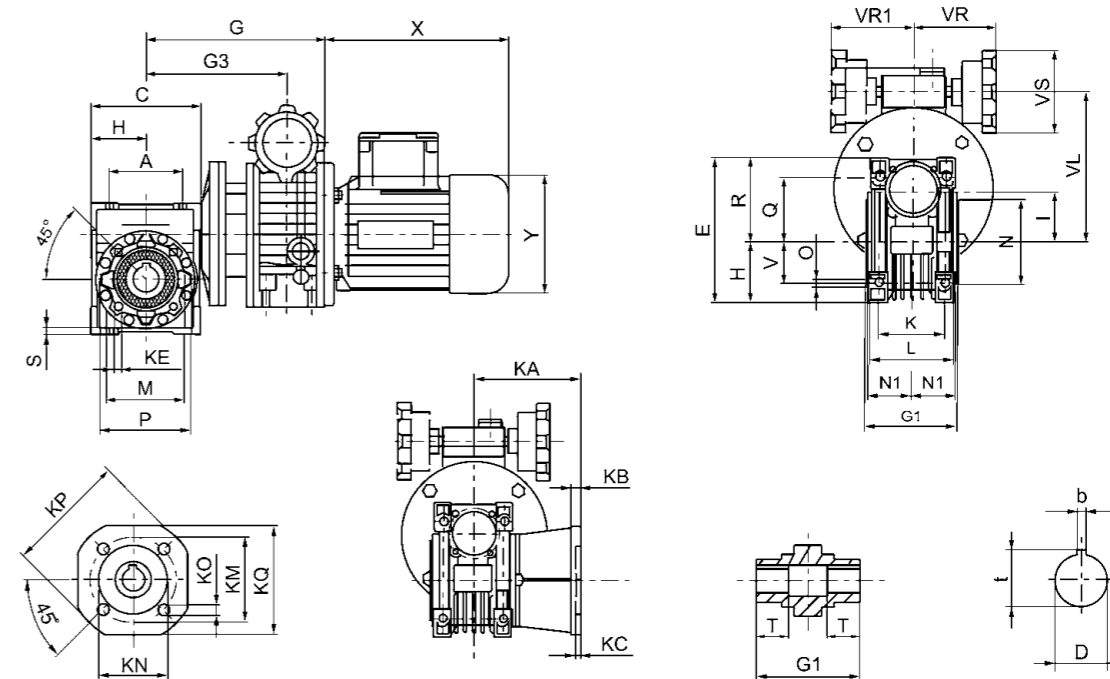
电机功率 Electromotor power (KW)	型号 Model	IN	N2 r/min	M2 N.m	电机功率 Electromotor power (KW)	型号 Model	IN	N2 r/min	M2 N.m
0.12kw 4p N1=1400r/min	UDLY0.12-WJL40	7.5	133-26.7	6-12	0.25kw 4p N1=1400r/min	UDLY0.25-WJL50	7.5	133-26.7	12-21
		10	100-20	8-17			10	100-20	17-34
		15	66.7-13.3	12-24			15	66.7-13.3	24-49
		20	50-10	15-31			20	50-10	31-63
		25	40-8	18-36			25	40-8	36-73
		30	33.3-6.7	20-41			30	33.3-6.7	41-82
		40	25-5	25-51			40	25-5	51-102
		50	20-4	30-61			50	20-4	61-122
		60	16.7-3.3	35-71			60	16.7-3.3	70-143
		80	12.5-5.5	39-78			80	12.5-5.5	84-169
0.18kw 4p N1=1400r/min	UDLY0.12-WJL50	100	10-2	44-88	0.37kw 4p N1=1400r/min	UDLY0.25-WJL63	100	10-2	93-187
		7.5	133-26.7	9-18			7.5	133-26.7	19-36
		10	100-20	12-23			10	100-20	25-47
		15	66.7-13.3	17-32			15	66.7-13.3	36-65
		20	50-10	22-40			20	50-10	46-82
		25	40-8	27-47			25	40-8	55-97
		30	33.3-6.7	30-51			30	33.3-6.7	61-107
		40	25-5	37-62			40	25-5	76-124
		50	20-4	43-60			50	20-4	89-120
		60	16.7-3.3	50-80			60	16.7-3.3	104-173
0.18kw 4p N1=1400r/min	UDLY0.18-WJL40	80	12.5-5.5	59-82	0.37kw 4p N1=1400r/min	UDLY0.37-WJL50	80	12.5-5.5	125-172
		100	10-2	66-79			100	10-2	139-150

UD-WJL 系列选型参数表 | Parameter List Selections of UD-WJL Series

电机功率 Electromotor power (KW)	型号 Model	In	N2 r/min	M2 N.m
0.55kw 4p N1=1400r/min	UDLY0.55-WJL63	7.5	133-26.7	26-49
		10	100-20	34-63
		15	66.7-13.3	48-88
		20	50-10	62-12
		25	40-8	75-133
		30	33.3-6.7	81-146
		40	25-5	105-179
	50	20-4	123-207	
	UDLY0.55-WJL75	60	16.7-3.3	146-242
		80	12.5-5.5	175-250
UDLY0.55-WJL90	100	10-2	218-350	
0.75kw 4p N1=1400r/min	UDLY0.75-WJL63	7.5	133-26.7	39-73
		10	100-20	51-94
		15	66.7-13.3	72-132
		20	50-10	92-168
		25	40-8	112-199
		30	33.3-6.7	126-219
		40	25-5	156-232
	50	20-4	185-310	
	UDLY0.75-WJL75	60	16.7-3.3	219-300
	UDLY0.75-WJL90	80	12.5-5.5	265-428
1.1kw 4p N1=1400r/min	UDLY1.1-WJL75	7.5	133-26.7	59-111
		10	100-20	77-144
		15	66.7-13.3	110-203
		20	50-10	142-258
		25	40-8	172-308
		30	33.3-6.7	195-340
		40	25-5	245-360
	UDLY1.1-WJL90	50	20-4	304-517
	UDLY1.1-WJL110	60	16.7-3.3	368-625
		80	12.5-5.5	455-751
100		10-2	522-710	
1.5kw 4p N1=1400r/min	UDLY1.5-WJL75	7.5	133-26.7	78-148
		10	100-20	102-192
		15	66.7-13.3	147-270
		20	50-10	190-344
		25	40-8	229-330
		30	33.3-6.7	260-390
		40	25-5	341-589
	UDLY1.5-WJL90	50	20-4	406-560
		60	16.7-3.3	490-833
	UDLY1.5-WJL130	80	12.5-5.5	614-999
100		10-2	696-1100	

电机功率 Electromotor power (KW)	型号 Model	In	N2 r/min	M2 N.m
2.2kw 4p N1=1400r/min	UDLY2.2-WJL110	7.5	133-26.7	120-226
		10	100-20	157-294
		15	66.7-13.3	228-418
		20	50-10	298-549
		25	40-8	364-664
		30	33.3-6.7	413-717
		40	25-5	533-931
	50	20-4	648-1097	
	UDLY2.2-WJL130	60	16.7-3.3	746-1246
		80	12.5-5.5	921-1499
80		12.5-2.5	979-1958	
3.0kw 4p N1=1400r/min	UDLY3-WJL110	7.5	133-26.7	160-302
		10	100-20	210-392
		15	66.7-13.3	304-558
		20	50-10	398-732
		25	40-8	485-885
		30	33.3-6.7	547-956
		40	25-5	711-1030
	UDLY3-WJL130	50	20-4	864-1463
		50	20-4	912-1900
		UDY3-WJL150	60	16.7-3.3
4.0kw 4p N1=1400r/min	UDLY4-WJL110	7.5	133-26.7	213-402
		10	100-20	279-523
		15	66.7-13.3	405-744
		20	50-10	530-975
		25	40-8	653-1180
		30	33.3-6.7	749-1298
		40	25-5	960-1650
	UDLY4-WJL130	30	33.3-6.7	821-1668
		40	25-5	1029-2090
		50	20-4	1254-2546
5.5kw 4p N1=1400r/min	UDY5.5-WJL150	60	16.7-3.3	1441-2926
		25	40-8	945-1932
		30	33.3-6.7	1120-2290
		40	25-5	1404-2870
		7.5kw 4p N1=1400r/min	UDY7.5-WJL150	7.5
10	100-20	549-1125		
15	66.7-13.3	805-1650		
20	50-10	1049-2150		
25	40-8	1281-2625		

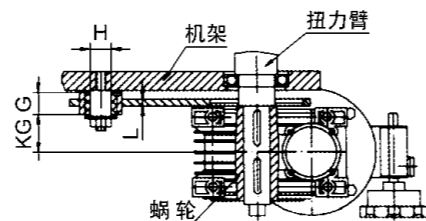
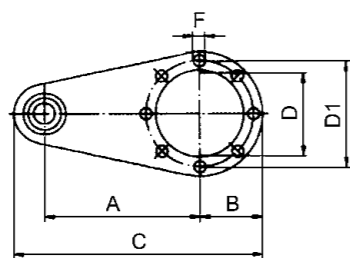
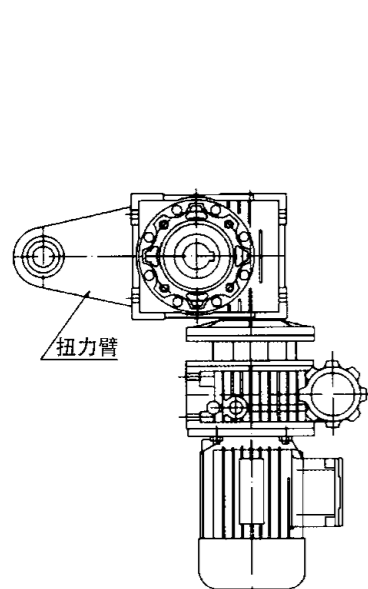
UD-WJL 系列外形及安装尺寸 | Overall & Installation Dimension of UD-WJL Series



型号 Model	安装尺寸 Installation dimension														输出轴尺寸 Output shaft dimension			
	A	K	KC	KE	KM	KN	KO	M	N	N1	O	Q	S	V	b	D	t	T
UDLY0.12-WJL40	70	60	4	M6x8(n.4)	87	60H8	9(n.4)	75	60h8	36.5	6.5	55	6.5	35	6	19H8	21.8	26
UDLY0.18-WJL40																		
UDLY0.12-WJL50	80	70	5	M8x10(n.4)	90	70H8	11(n.4)	85	70h8	43.5	8.5	64	7	40	8	25H8	28.3	30
UDLY0.18-WJL50																		
UDLY0.25-WJL50																		
UDLY0.37-WJL50																		
UDLY0.25-WJL63	100	85	6	M8x14(n.8)	150	115H8	11(n.4)	95	80h8	53	8.5	80	8	50	8	25H8	28.3	36
UDLY0.37-WJL63																		
UDLY0.55-WJL63																		
UDLY0.75-WJL63																		
UDLY0.55-WJL75	120	90	6	M8x14(n.8)	165	130H8	14(n.4)	115	95h8	57	11	93	10	60	8	28H8	31.3	40
UDLY0.75-WJL75																		
UDY1.1-WJL75																		
UDY1.5-WJL75																		
UDLY0.55-WJL90	140	100	6	M10x18(n.8)	175	152H8	14(n.4)	130	110h8	67	13	102	11	70	10	35H8	38.3	45
UDLY0.75-WJL90																		
UDY1.1-WJL90																		
UDY1.5-WJL90																		
UDY1.1-WJL110																		
UDY1.5-WJL110																		
UDY2.2-WJL110	170	115	6	M10x18(n.8)	230	170H8	14(n.8)	165	130h8	74	14	125	14	85	12	42H8	45.3	50
UDY3-WJL110																		
UDY4-WJL110																		
UDY1.5-WJL130	200	120	6	M12x21(n.8)	255	180H8	16(n.8)	215	180h8	81	16	140	15	100	14	45H8	48.8	60
UDY2.2-WJL130																		
UDY3-WJL130																		
UDY4-WJL130																		
UDY2.2-WJL150	240	145	7	M12*21(n.8)	255	180H8	16(n.8)	215	180h8	96	18	180	18	120	14	50H8	53.8	72.5
UDY3-WJL150																		
UDY4-WJL150																		
UDY5.5-WJL150																		
UDY7.5-WJL150																		

型号 Model	安装尺寸 Installation dimension																				
	C	E	G	G1	G3	H	I	KA	KB	KP	KQ	L	P	R	VL	VS	VR	VR1	X	Y	
UDLY0.12-WJL40	100	122	183	78	135	50	40	67	7	110	95	71	87	71.5	118	75	110	110			
UDLY0.18-WJL40																					
UDLY0.12-WJL50			193		145										128						
UDLY0.18-WJL50	120	144		92		60	50	90	9	125	110	85	100	84		75	110	110			
UDLY0.25-WJL50			190		154										140						
UDLY0.37-WJL50																					
UDLY0.25-WJL63			205		169										153	75					
UDLY0.37-WJL63	144	174		112		72	63	82	10	180	142	103	110	102			120	120			
UDLY0.55-WJL63			234		181										170	90					
UDLY0.75-WJL63																					
UDLY0.55-WJL75			252		198										182		120	120			
UDLY0.75-WJL75																					
UDY1.1-WJL75	172	205		120		86	75	111	13	200	170	112	140	119		90		145	145		
UDY1.5-WJL75			284.5		221.5										202						
UDLY0.55-WJL90			269		215										197		120	120			
UDLY0.75-WJL90	206	238		140		103	90	111	13	210	200	130	160	135		90		145	145		
UDY1.1-WJL90			288.5		232.5										217						
UDY1.5-WJL90			301.5		238.5										218	90	145	145			
UDY1.1-WJL110			319		263										237						
UDY1.5-WJL110			332		269										261	110	180	180			
UDY2.2-WJL110	253	295		155		128	110	131	15	280	260	144	200	168							
UDY3-WJL110			368		292										257	90	145	145			
UDY4-WJL110																					
UDY1.5-WJL130			352		289										281	110	180	180			
UDY2.2-WJL130																					
UDY3-WJL130	293	335		170		148	130	140	15	320	290	155	250	188							
UDY4-WJL130			388		312																
UDY2.2-WJL150																					
UDY3-WJL150			418		314										303	85	147	147			
UDY4-WJL150	340	400		200		170	150	155	15	320	290	185	250	230							
UDY5.5-WJL150															343	160	186	186			
UDY7.5-WJL150			461		344																

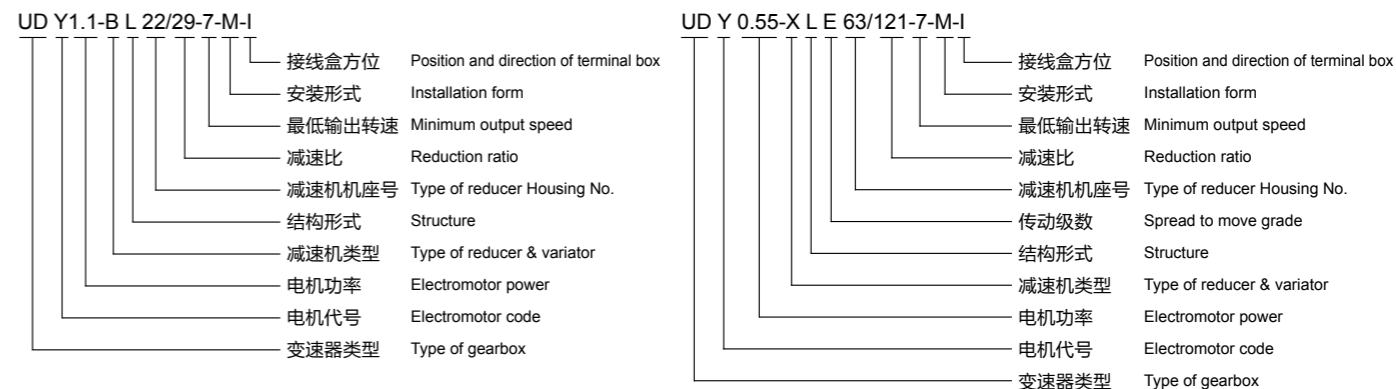
See the table for electromotor P5  
参考电机见表 P5



	A	B	C	D	D1	F	G	H	KG	L
40	100	44	162	60	75	7	14	10	31.5	4
50	100	50	168	70	85	9	14	10	38.5	4
63	150	55	223	80	95	9	14	10	49	6
75	200	70	300	95	115	9	25	20	47.5	6
90	200	80	310	110	130	11	25	20	47.5	6
110	250	100	385	130	165	11	30	25	62	6
130	250	125	410	180	215	13	30	25	69	6
150	250	125	410	180	215	13	30	25	84	6

### UD-B(X) 系列型号规格表示方式

Denotation of Specification & Dimension of UD-B(X) Series



变速器类型 Type of gearbox	电机代号 Electromotor code	电机功率 Electromotor power	减速机类型 Type of reducer & variator	结构形式 Structure	传动级数 Spread to move grade	减速机机座号 Type of reducer housing No.	减速比 Reduction ratio	最低输出转速 Minimum output speed	安装形式 Installation form	接线盒方位 Position and direction of terminal box
行星锥盘 无级变速器 UD Planetary cone-ring stepless variator UD	普通 Y <sub>2</sub> Normal Y <sub>2</sub>	见选型 参数表 See selections Parameter list	摆线减速机 Cycloid reducer	卧式: W Horizontal: W	单级: 省略 List class: (Omitted)	见选型 参数表 See selections Parameter list	见选型 参数表 See selections Parameter list	见选型 参数表 See selections Parameter list	见表 P86 See the table P86	见表 P6 See the table P6
	防爆 B Explosion protection B									
	制动 E Brake E									
	变频 V Frequency conversion V									
	变频制动 VE Brake by frequency conversion VE									
	多速 D Multi-speed D									
	分马力 F Fractional horsepower F									
				立式: L Vertical: L	双级: E Double class: E					

### UD-B(X) 系列选型参数表 | Parameter List Selections of UD-B(X) Series

变速器机座号 Housing No. of gearbox	输入功率 (KW) Input power	减速机机座号 Housing No. of reducer	减速比 Reduction ratio									
			71	59	43	35	29	23	17	11	9	
			许用输出转矩 N.m Permissible output torque									
02	0.18	B12 X2	150-98	150-81	118-59	96-48	80-40	64-32	46-23	30-15	24-2	
04	0.25		150-130	150-108	150-79	135-64	112-53	88-42	65-31	42-20	35-17	
	0.37				150-118	150-97	150-80	131-63	97-47	62-30	51-25	
07	0.55					150-145	150-120	150-95	150-70	101-46	83-37	
	0.75						150-127	150-94	127-61	104-50		
			输出转速 r/min Output speed	2.8-14	3.4-17	4.6-23	6-30	7-35	8.5-42.5	12-60	18-90	22-110

变速器机座号 Housing No. of gearbox	输入功率 (KW) Input power	减速机机座号 Housing No. of reducer	减速比 Reduction ratio										
			87	71	59	43	35	29	23	17	11	9	
			许用输出转矩 N.m Permissible output torque										
04	0.25	B15 X3	250-160	250-130	228-108	166-79							
	0.37		250-240	250-195	250-165	245-118	200-97	165-80					
07	0.55				250-244	250-178	250-145	250-120	212-95	156-70			
	0.75					250-237	250-193	250-160	250-127	196-94			
15	1.1						250-240	250-190	250-140	186-91	152-74		
	1.5									250-188	250-121	207-99	
			输出转速 r/min Output speed	2.3-11.5	2.8-14	3.4-17	4.6-23	6-30	7-35	8.5-42.5	12-60	18-90	22-110



变速器 机座号 Housing No. of gearbox	输入 功率 (KW) Input power	减速机 机座号 Housing No. of reducer	减速比 Reduction ratio										
			87	71	59	43	35	29	23	17	11	9	
			许用输出转矩 N.m Permissible output torque										
04	0.25	B18 X4	336-160	274-130									
	0.37		420-240	404-195	336-165								
07	0.55		420-360	420-294	420-244	396-178	322-145	266-120					
	0.75			420-392	420-326	420-237	402-193	333-160	264-127				
15	1.1					420-356	420-290	420-240	389-190	288-140			
	1.5						420-386	420-320	420-254	391-188	253-121		
输出转速 r/min Output speed			2.3-11.5	2.8-14	3.4-17	4.6-23	6-30	7-35	8.5-42.5	12-60	18-90	22-110	
07	0.55		B22 X5	800-360	653-294	542-244							
	0.75	1000-480		816-392	678-326	494-237							
15	1.1	1000-720		1000-587	998-488	728-356	592-290	490-240					
	1.5	1000-960		1000-784	1000-651	989-475	805-386	667-320	529-254				
40	2.2				1000-977	1000-712	1000-580	960-480	762-381	562-281	364-182	298-149	
	3					1000-950	1000-772	1000-640	1000-508	782-375	506-243	414-199	
	4						1000-880	1000-698	1000-516	678-334	555-273		
输出转速 r/min Output speed			2.3-11.5	2.8-14	3.4-17	4.6-23	6-30	7-35	8.5-42.5	12-60	18-90	22-110	
15	1.1	B27 X6	1472-720	1200-587									
	1.5		2001-960	1633-784	1357-651								
40	2.2		2100-1440	2100-1175	1954-977	1424-712	1160-580						
	3		2100-1920	2100-1568	2100-1302	1978-950	1610-772	1334-640	1058-508				
75	5.5				2100-1790	2100-1305	2100-1062	1787-880	1418-698	1048-516			
	7.5					2100-1780	2100-1448	2100-1200	1946-952	1438-703	931-455		
输出转速 r/min Output speed			2.3-11.5	2.8-14	3.4-17	4.6-23	6-30	7-35	8.5-42.5	12-60	18-90		
40	2.2		B33 X8	2880-1440	2350-1175								
	3	3000-1920		3000-1568	2714-1302								
75	5.5			3000-2940	3000-2443	3000-1780	2962-1448	2455-1200					
	7.5					3000-2413	3000-1964	3000-1627	2645-1290				
输出转速 r/min Output speed				2.3-11.5	2.8-14	3.4-17	4.6-23	6-30	7-35	8.5-42.5	12-60	18-90	
40	2.2	B39 X9		2880-1440	2350-1175								
	3			4002-1920	3266-1568	2714-1302							
75	5.5			4600-2641	4376-2155	3636-1790	2650-1305						
	7.5		4600-3601	4600-2940	4600-2443	3640-1780	2962-1448						
输出转速 r/min Output speed			2.3-11.5	2.8-14	3.4-17	4.6-23	6-30	7-35	8.5-42.5	12-60	18-90		
40	3		B45 X10	4002-1920	3266-1568								
	4			5362-2641	4376-2155	3636-1790	2650-1305						
75	5.5			7363-3601	6009-2940	4994-2443	3640-1780	2962-1448	2455-1200				
	7.5	9000-4882		8165-3985	6785-3311	4945-2413	4025-1964	3335-1627	2645-1290	1955-954	1265-617		
输出转速 r/min Output speed				2.3-11.5	2.8-14	3.4-17	4.6-23	6-30	7-35	8.5-42.5	12-60	18-90	
75	5.5	X10		7363-3601	6009-2940	4994-2443	3640-1780						
	7.5			10005-4882	8165-3985	6785-3311	4945-2413	4025-1964	3335-1627				
输出转速 r/min Output speed				2.3-11.5	2.8-14	3.4-17	4.6-23	6-30	7-35	8.5-42.5	12-60	18-90	

UD-BE(XE) 系列选型参数表 | Parameter List Selections of UD-BE(XE) Series

变速器 机座号 Housing No. of gearbox	输入 功率 (KW) Input power	减速机 机座号 Housing No. of reducer	减速比 Reduction ratio																	
			7569	5133	3481	2537	2065	1849	1505	1225	1003	841	731	595	493	391	289	187	121	
			许用输出转矩 N.m Permissible output torque																	
02	0.18	B18.12 X42																		
			420																	
04	0.25																			
	0.37																			
07	0.55																			
	0.75																			
输出转速 r/min Output speed			0.026-0.13	0.04-0.2	0.06-0.3	0.08-0.4	0.1-0.5	0.11-0.55	0.13-0.65	0.16-0.8	0.2-1	0.24-1.2	0.28-1.4	0.33-1.65	0.4-2	0.5-2.5	0.7-3.5	1.1-5.5	1.7-8.5	

变速器 机座号 Housing No. of gearbox	输入 功率 (KW) Input power	减速机 机座号 Housing No. of reducer	减速比 Reduction ratio																	
			7569	5133	3481	2537	2065	1849	1505	1225	1003	841	731	595	493	391	289	187	121	
			许用输出转矩 N.m Permissible output torque																	
02	0.18	B22.12 X52																		
			1000																	
04	0.25																			
	0.37																			
07	0.55																			
	0.75																			
输出转速 r/min Output speed			0.026-0.13	0.04-0.2	0.06-0.3	0.08-0.4	0.1-0.5	0.11-0.55	0.13-0.65	0.16-0.8	0.2-1	0.24-1.2	0.28-1.4	0.33-1.65	0.4-2	0.5-2.5	0.7-3.5	1.1-5.5	1.7-8.5	

变速器 机座号 Housing No. of gearbox	输入 功率 (KW) Input power	减速机 机座号 Housing No. of reducer	减速比 Reduction ratio																	
			7569	5133	3481	2537	2065	1849	1505	1225	1003	841	731	595	493	391	289	187	121	
			许用输出转矩 N.m Permissible output torque																	
04	0.25	B22.15 X53																		
	0.37																			
07	0.55																			
	0.75																			
15	1.1																			
	1.5																			
输出转速 r/min Output speed			0.026-0.13	0.04-0.2	0.06-0.3	0.08-0.4	0.1-0.5	0.11-0.55	0.13-0.65	0.16-0.8	0.2-1	0.24-1.2	0.28-1.4	0.33-1.65	0.4-2	0.5-2.5	0.7-3.5	1.1-5.5	1.7-8.5	

变速器 机座号 Housing No. of gearbox	输入 功率 (KW) Input power	减速机 机座号 Housing No. of reducer	减速比 Reduction ratio																	
			7569	5133	3481	2537	2065	1849	1505	1225	1003	841	731	595	493	391	289	187	121	
			许用输出转矩 N.m Permissible output torque																	
04	0.25	B27.15 X63																		
	0.37																			
07	0.55																			
	0.75																			
15	1.1																			
	1.5																			
输出转速 r/min Output speed			0.026-0.13	0.04-0.2	0.06-0.3	0.08-0.4	0.1-0.5	0.11-0.55	0.13-0.65	0.16-0.8	0.2-1	0.24-1.2	0.28-1.4	0.33-1.65	0.4-2	0.5-2.5	0.7-3.5	1.1-5.5	1.7-8.5	

变速器 机座号 Housing No. of gearbox	输入 功率 (KW) Input power	减速机 机座号 Housing No. of reducer	减速比 Reduction ratio																	
			7569	5133	3481	2537	2065	1849	1505	1225	1003	841	731	595	493	391	289	187	121	
			许用输出转矩 N.m Permissible output torque																	
04	0.25	B27.18 X64																		
	0.37																			
07	0.55																			
	0.75																			
15	1.1																			
	1.5																			
输出转速 r/min Output speed			0.026-0.13	0.04-0.2	0.06-0.3	0.08-0.4	0.1-0.5	0.11-0.55	0.13-0.65	0.16-0.8	0.2-1	0.24-1.2	0.28-1.4	0.33-1.65	0.4-2	0.5-2.5	0.7-3.5	1.1-5.5	1.7-8.5	

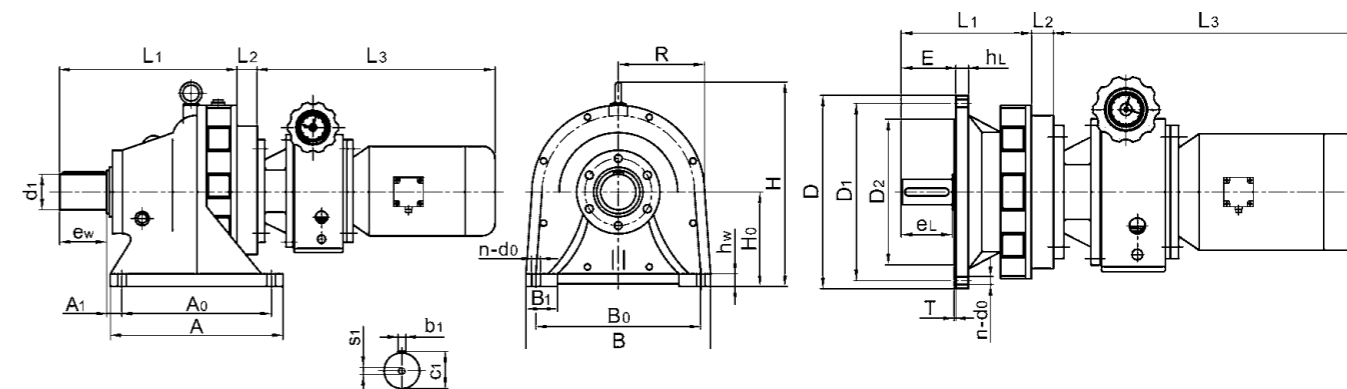
变速器机座号 Housing No. of gearbox	输入功率 (KW) Input power	减速机机座号 Housing No. of reducer	减速比 Reduction ratio																	
			7569	5133	3481	2537	2065	1849	1505	1225	1003	841	731	595	493	391	289	187	121	
			许用输出转矩 N.m Permissible output torque																	
04	0.25	B33. 18 X84	4600																	
	0.37		4600-3800 4600-3402 4600-2769 4600-2254 3876-1846 3250-1547 2825-1345 2299-1095																	
07	0.55		4600-4154 4600-3381 4600-2768 4600-2321 4170-2018 3394-1642 2812-1361 2230-1079																	
	0.75		4600-4152 4600-3482 4600-3028 4600-2463 4536-2041 3597-1619 2659-1196																	
15	1.1		4600-4037 4600-3284 4600-2721 4497-2158 3324-1595 2151-1032																	
	1.5		4600-4082 4600-3237 4600-2393 3166-1548																	
			4600-4317 4600-3191 4232-2064 2783-1336																	
输出转速 r/min Output speed			0.026-0.13	0.04-0.2	0.06-0.3	0.08-0.4	0.1-0.5	0.11-0.55	0.13-0.65	0.16-0.8	0.2-1	0.24-1.2	0.28-1.4	0.33-1.65	0.4-2	0.5-2.5	0.7-3.5	1.1-5.5	1.7-8.5	

变速器机座号 Housing No. of gearbox	输入功率 (KW) Input power	减速机机座号 Housing No. of reducer	减速比 Reduction ratio																	
			7569	5133	3481	2537	2065	1849	1505	1225	1003	841	731	595	493	391	289	187	121	
			许用输出转矩 N.m Permissible output torque																	
07	0.55	B33. 22 X85	4600																	
	0.75		4600-4152 4600-3482 4600-3026 4600-2463 4536-2041 3597-1619 2659-1196																	
15	1.1		4600-4037 4600-3284 4600-2721 4497-2158 3324-1595 2151-1032																	
	1.5		4600-4082 4600-3237 4600-2393 3166-1548																	
40	2.2		4600-4317 4600-3191 4232-2064 2783-1336																	
	3		4600-3097 4008-2004																	
	4		4600-4129 4600-2672 4600-3674																	
输出转速 r/min Output speed			0.026-0.13	0.04-0.2	0.06-0.3	0.08-0.4	0.1-0.5	0.11-0.55	0.13-0.65	0.16-0.8	0.2-1	0.24-1.2	0.28-1.4	0.33-1.65	0.4-2	0.5-2.5	0.7-3.5	1.1-5.5	1.7-8.5	

变速器机座号 Housing No. of gearbox	输入功率 (KW) Input power	减速机机座号 Housing No. of reducer	减速比 Reduction ratio																	
			7569	5133	3481	2537	2065	1849	1505	1225	1003	841	731	595	493	391	289	187	121	
			许用输出转矩 N.m Permissible output torque																	
07	0.55	B39. 22 X95	9000																	
	0.75		9000-8549 9000-7655 9000-6231 9000-5072 9000-4152 7737-3482 8725-3026 5474-2463																	
15	1.1		9000-8308 9000-6752 9000-5537 9000-4642 8407-4037 6843-3284 5670-2721																	
	1.5		9000-8305 9000-6963 9000-6053 9000-4927 8348-4082 6619-3237 4892-2393																	
40	2.2		9000-8070 9000-6569 9000-5443 8993-4317 6647-3191																	
	3		9000-8164 9000-6475 9000-4786 6193-3097																	
	4		9000-8633 9000-6381 8602-4129 5566-2672 9000-8774 9000-5677 7458-3674																	
输出转速 r/min Output speed			0.026-0.13	0.04-0.2	0.06-0.3	0.08-0.4	0.1-0.5	0.11-0.55	0.13-0.65	0.16-0.8	0.2-1	0.24-1.2	0.28-1.4	0.33-1.65	0.4-2	0.5-2.5	0.7-3.5	1.1-5.5	1.7-8.5	

变速器机座号 Housing No. of gearbox	输入功率 (KW) Input power	减速机机座号 Housing No. of reducer	减速比 Reduction ratio																	
			7569	5133	3481	2537	2065	1849	1505	1225	1003	841	731	595	493	391	289	187	121	
			许用输出转矩 N.m Permissible output torque																	
15	1.1	B45. 27 X106	12000																	
	1.5		12000-10143 12000-8305 12000-6963 12000-6053 10072-4927																	
40	2.2		12000-11073 12000-9285 12000-8070 12000-6569 11339-5443																	
	3		12000-9853 12000-8164 12000-6475 9572-4786																	
75	4		12000-10885 12000-8633 12000-6381																	
	5.5		12000-11871 12000-8774 11527-5677																	
			7.5	12000-11965 12000-7742 10241-5009 12000-10494 12000-6791																
输出转速 r/min Output speed			0.026-0.13	0.04-0.2	0.06-0.3	0.08-0.4	0.1-0.5	0.11-0.55	0.13-0.65	0.16-0.8	0.2-1	0.24-1.2	0.28-1.4	0.33-1.65	0.4-2	0.5-2.5	0.7-3.5	1.1-5.5	1.7-8.5	

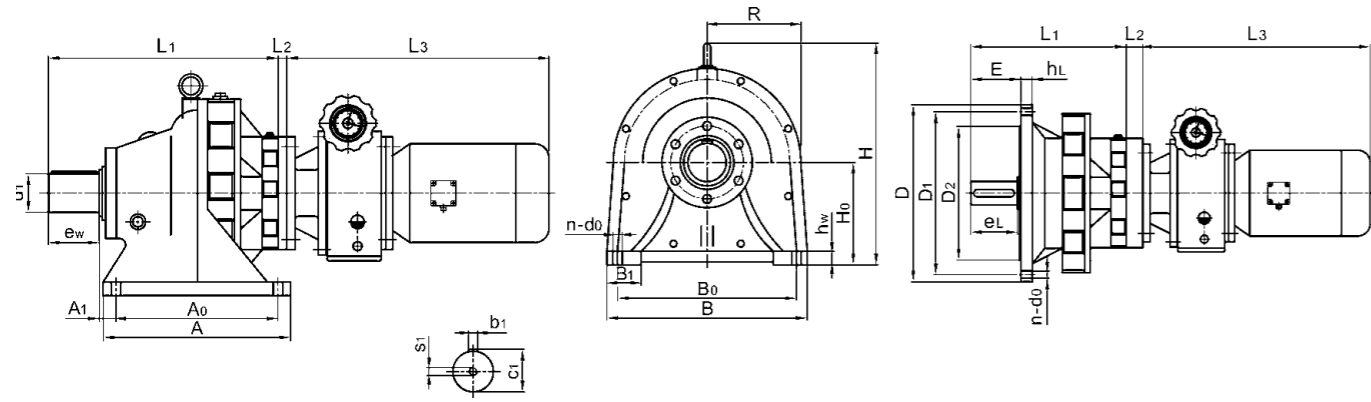
UD-B(X) 系列外形及安装尺寸 | Overall & Installation Dimension of UD-B(X) Series



机座号 Housing No.	安装尺寸 (W) Installation dimension (W)						安装尺寸 (L) Installation dimension (L)						输出轴尺寸 Output shaft dimension					外形尺寸 Overall dimension									配置无级 机座号 Installed stepless housing No.				
	H0	A1	A0	B0	n	d0	D1	D2	E	T	n	d0	d1	ew	eL	b1	c1	s1	D	A	B	B1	hw	hL	H	R		L1	L2	L3	
B12	100	58	90	150	4	11	160	140	39	3	4	11	30	35	35	8	33	M8	190	120	185	35	18	10	184	84	165				UD02 UD04 UD07
X2	100	67	90	150	4	12	160	130	42	3	6	11	25	34	34	8	28	M8	180	120	210	45	15	12	175	75	159				UD04 UD07 UD15
B15	120	69	110	240	4	13	200	170	53	4	6	11	35	56	45	10	38	M8	230	160	280	55	20	12	260	105	202				UD04 UD07 UD15
X3	140	85	100	250	4	16	200	170	53	4	6	11	35	56	45	10	38	M8	230	150	290	55	20	12	280	105	202				UD04 UD07 UD15
B18	140	74	150	280	4	13	230	200	71	4	6	11	45	71	61	14	48.5	M8	260	200	320	60	22	16	310	125	246				UD04 UD07 UD15
X4	150	95	145	290	4	16	230	200	71	4	6	11	45	71	61	14	48.5	M10	260	200	330	65	22	16	320	125	246				UD07 UD15 UD40
B22	160	78	200	340	4	17	310	270	80	5	6	13	55	80	75	16	59	M10	340	250	390	75	28	20	365	150	297				UD15 UD40 UD75
X5	160	115	150	370	4	16	310	270	91	5	6	13	55	91	86	16	59	M12	340	260	420	75	25	20	365	150	308				UD40 UD75
B27	200	53	320	340	4	22	360	320	100	5	8	15	70	102	92	20	74.5	M12	400	380	400	80	28	22	439	175	364				UD40 UD75
X6	200	35	275	380	4	22	360	316	92	5	8	15	65	90	79	18	69	M12	400	335	430	75	30	22	439	175	351				UD40 UD75
X7	220	36	320	420	4	22	390	345	114	5	8	18	80	109	98	22	85	M12	430	380	470	75	30	22	460	180	390				UD40 UD75
B33	240	39	380	420	4	22	450	400	115	5	12	18	90	120	108	25	95	M16	490	440	470	80	32	32	513	220	437				UD40 UD75
X8	250	35	380	480	4	22	450	400	112	5	12	18	90	120	110	25	95	M16	490	440	530	80	35	30	523	220	448				UD40 UD75
B39	280	60	440	500	4	26	520	460	139	8	12	22	100	140	130	28	106	M20	580	520	560	90	40	35	605	260	528				UD40 UD75
X9	290	45	480	560	4	26	520	455	170	8	12	22	100	141	129	28	106	M20	580	560	620	120	40	35	614	260	552				UD75
B45	325	80	500	630	4	30	590	520	174	10	12	22	110	150	140	28	116	M24	650	600	690	120	45	40	706	290	612				UD75
X10	325	80	500	630	4	30	590	520	174	10	12	22	110	150	140	28	116	M24	650	600	690	120	45	40	706	290	612				UD75

按所配无级变速器尺寸 according to the dimension of the stepless reducers used

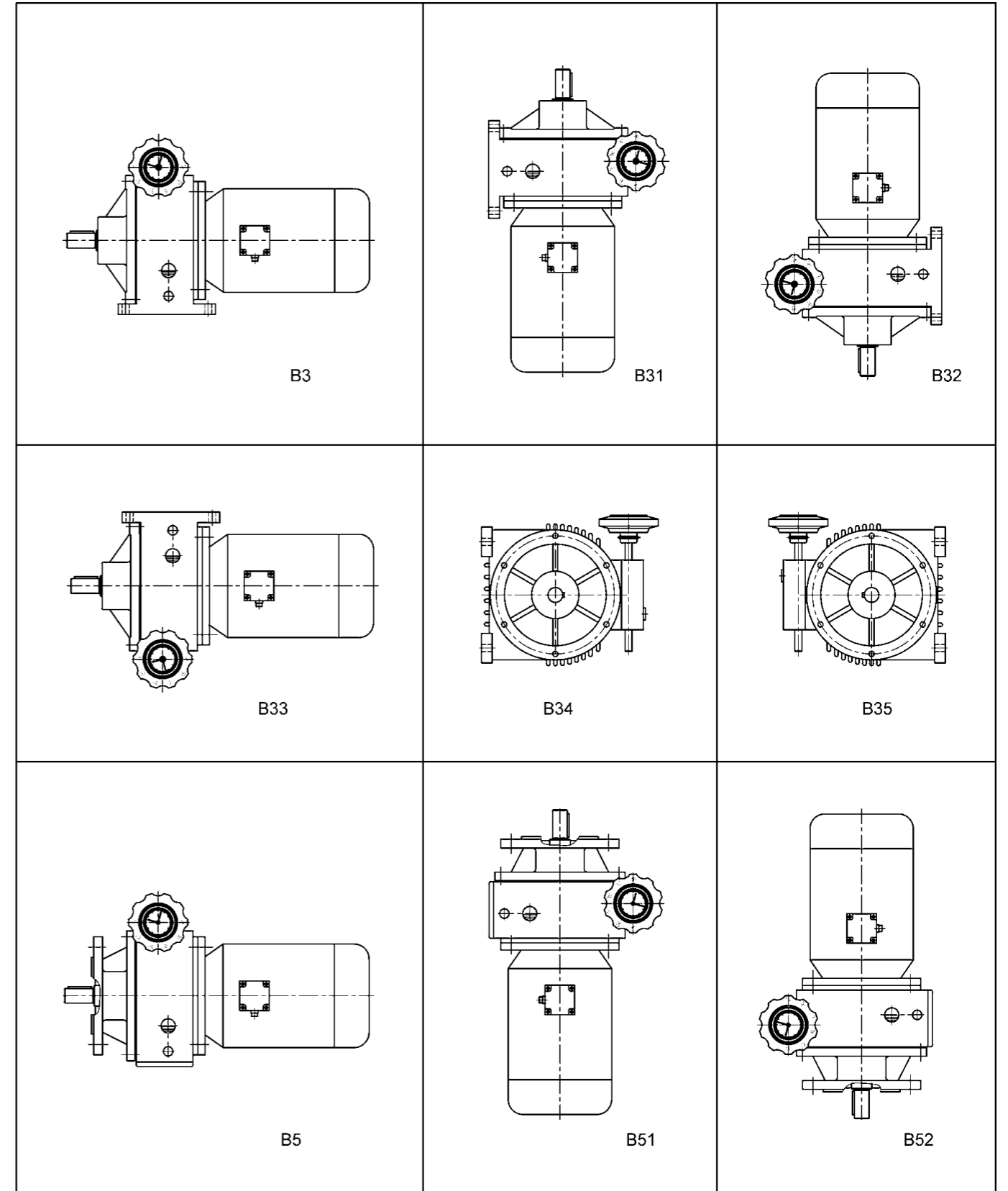
UD-BE(XE) 系列外形及安装尺寸 | Overall & Installation Dimension of UD-BE(XE) Series



机座号 Housing No.	安装尺寸 (W) Installation dimension (W)						安装尺寸 (L) Installation dimension (L)						输出轴尺寸 Output shaft dimension						外形尺寸 Overall dimension						配置无级 机座号 Installed stepless housing No.						
	H0	A1	A0	B0	n	d0	D1	D2	E	T	n	d0	d1	ew	eL	b1	c1	s1	D	A	B	B1	hw	hL		H	R	L1	L2	L3	
B18. 12	140	74	150	280	4	13	230	200	71	4	6	11	45	71	61	14	48.5	M8	260	200	320	60	22	16	310	125	246				UD02 UD04 UD07
X42	150	95	145	290	4	16	230	200	71	4	6	11	45	71	61	14	48.5	M10	260	200	330	65	22	16	320	125	246				
B22. 12	160	78	200	340	4	17	310	270	80	5	6	13	55	80	75	16	59	M10	340	250	390	75	28	20	365	150	297				UD04 UD07 UD15
B22. 15	160	78	200	340	4	17	310	270	80	5	6	13	55	80	75	16	59	M10	340	250	390	75	28	20	365	150	297				
X53	160	115	150	370	4	16	310	270	91	5	6	13	55	91	86	16	59	M12	340	260	420	75	25	20	365	150	308				
B27. 15	200	53	320	340	4	22	360	320	100	5	8	15	70	102	92	20	74.5	M12	400	380	400	80	28	22	439	175	364				UD04 UD07 UD15
X63	200	35	275	380	4	22	360	316	92	5	8	15	65	90	79	18	69	M12	400	335	430	75	30	22	439	175	351				
B27. 18	200	53	320	340	4	22	360	320	100	5	8	15	70	102	92	20	74.5	M12	400	380	400	80	28	22	439	175	364				UD04 UD07 UD15
B33. 18	240	39	380	420	4	22	450	400	115	5	12	18	90	120	108	25	95	M16	490	440	470	80	32	32	513	220	437				
X84	250	35	380	480	4	22	450	400	112	5	12	18	90	120	110	25	95	M16	490	440	530	80	35	30	523	220	448				
B33. 22	240	39	380	420	4	22	450	400	115	5	12	18	90	120	108	25	95	M16	490	440	470	80	32	32	513	220	437				UD07 UD15 UD40
X85	250	35	380	480	4	22	450	400	112	5	12	18	90	120	110	25	95	M16	490	440	530	80	35	30	523	220	448				
B39. 22	280	60	440	500	4	26	520	460	139	8	12	22	100	140	130	28	106	M20	580	520	560	90	40	35	605	260	528				UD15 UD40 UD75
X95	290	45	480	560	4	26	520	455	170	8	12	22	100	141	129	28	106	M20	580	560	620	120	40	35	614	260	552				
B45. 27	325	80	500	630	4	30	590	520	174	10	12	22	110	150	140	28	116	M24	650	600	690	120	45	40	706	290	612				
X106	325	80	500	630	4	30	590	520	174	10	12	22	110	150	140	28	116	M24	650	600	690	120	45	40	706	290	612				

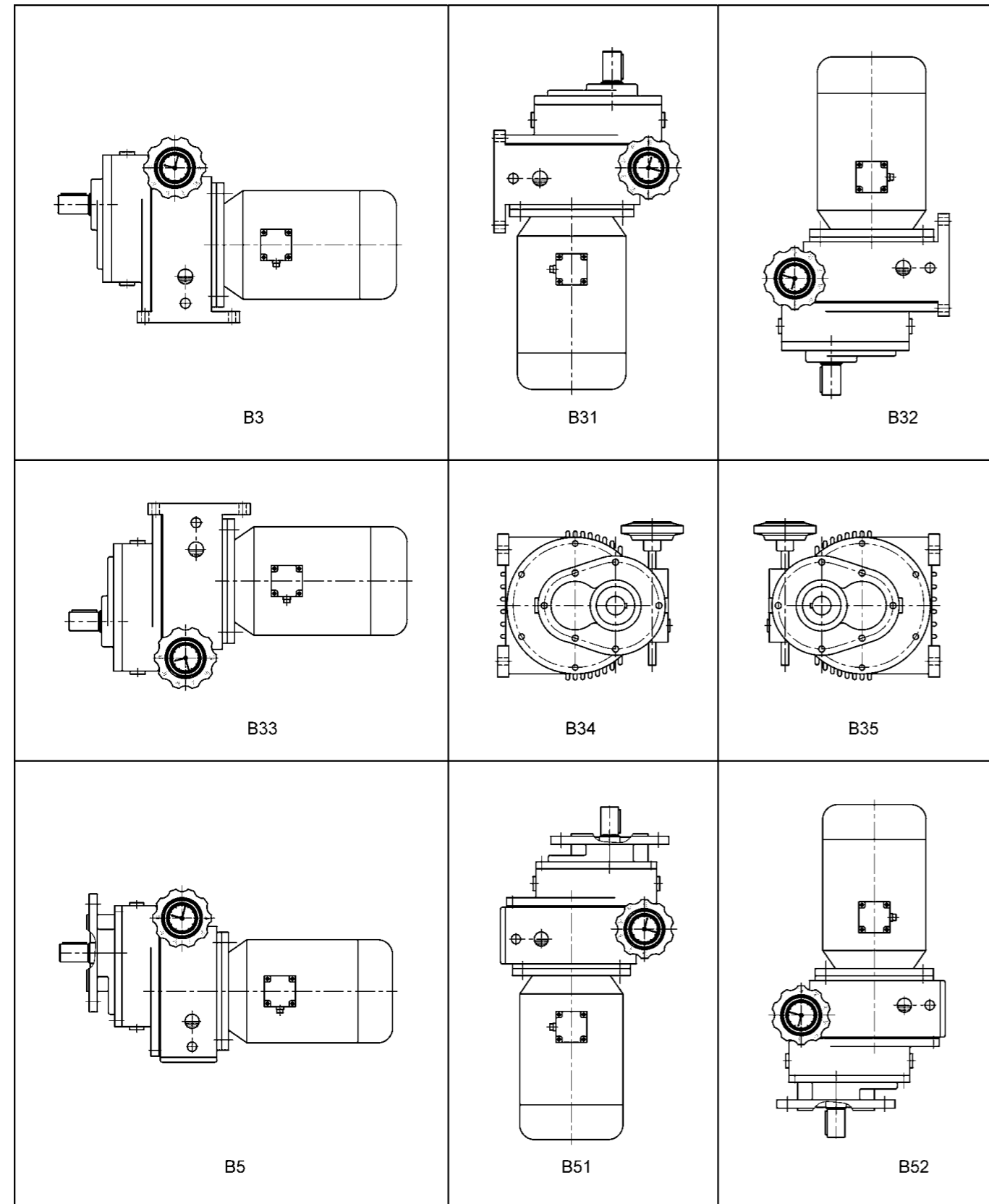
按所配无级变速器尺寸 according to the dimension of the stepless reducers used

UD 系列安装形式 | Installation Type of UD Series

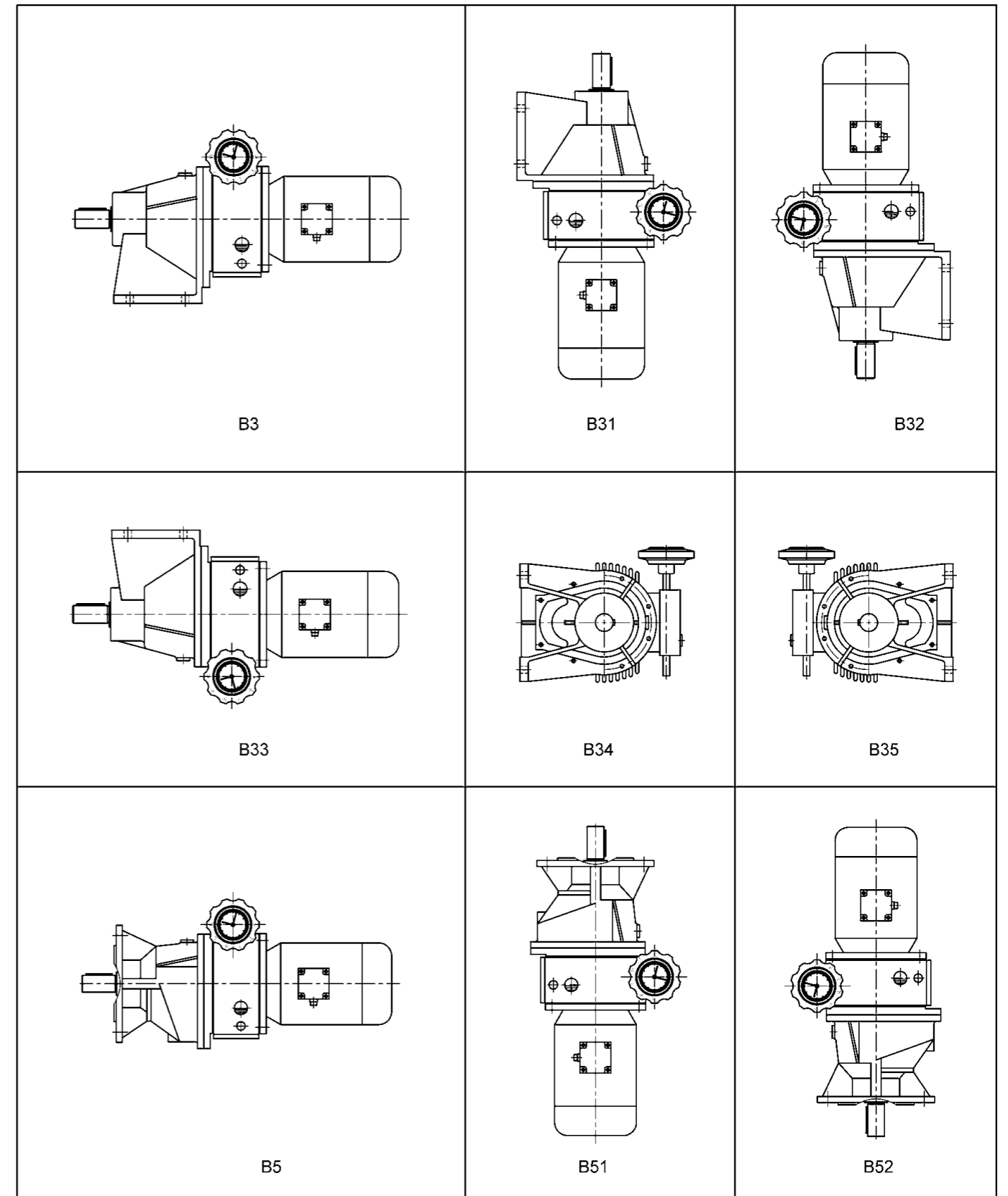




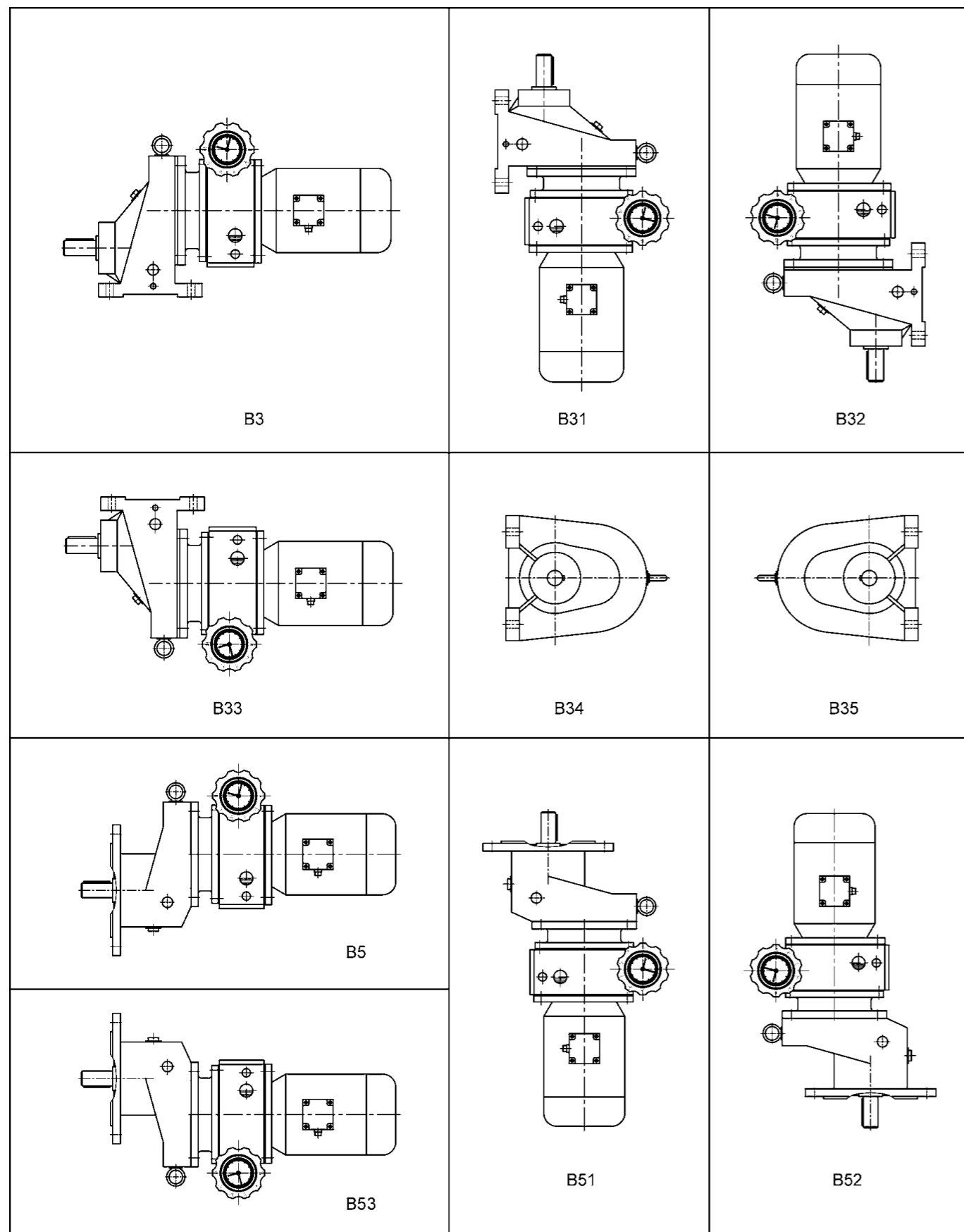
UD-C<sub>1</sub> 系列安装形式 | Installation Type of UD-C<sub>2</sub> Series



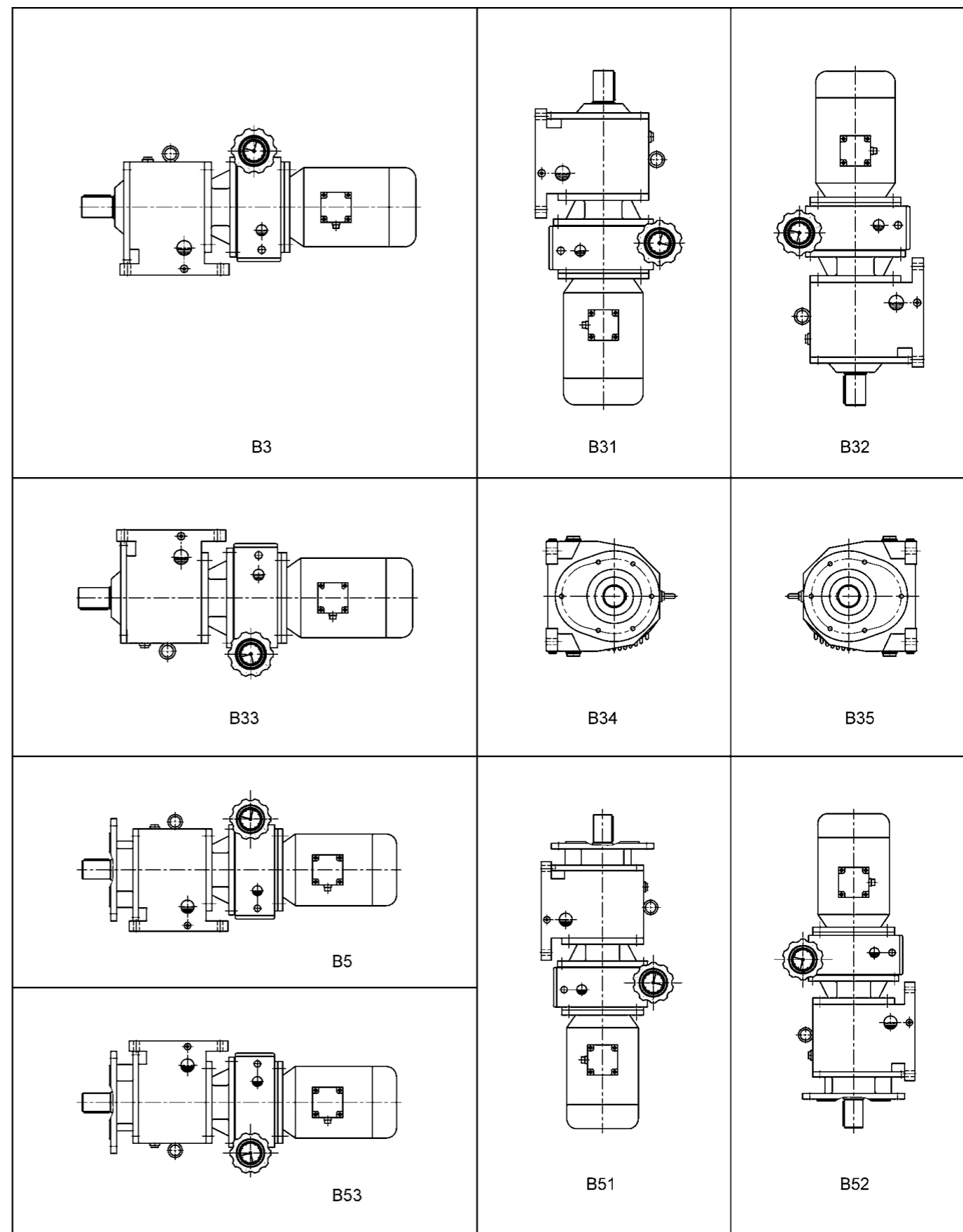
UD-C<sub>2</sub> 系列安装形式 | Installation Type of UD-C<sub>2</sub> Series



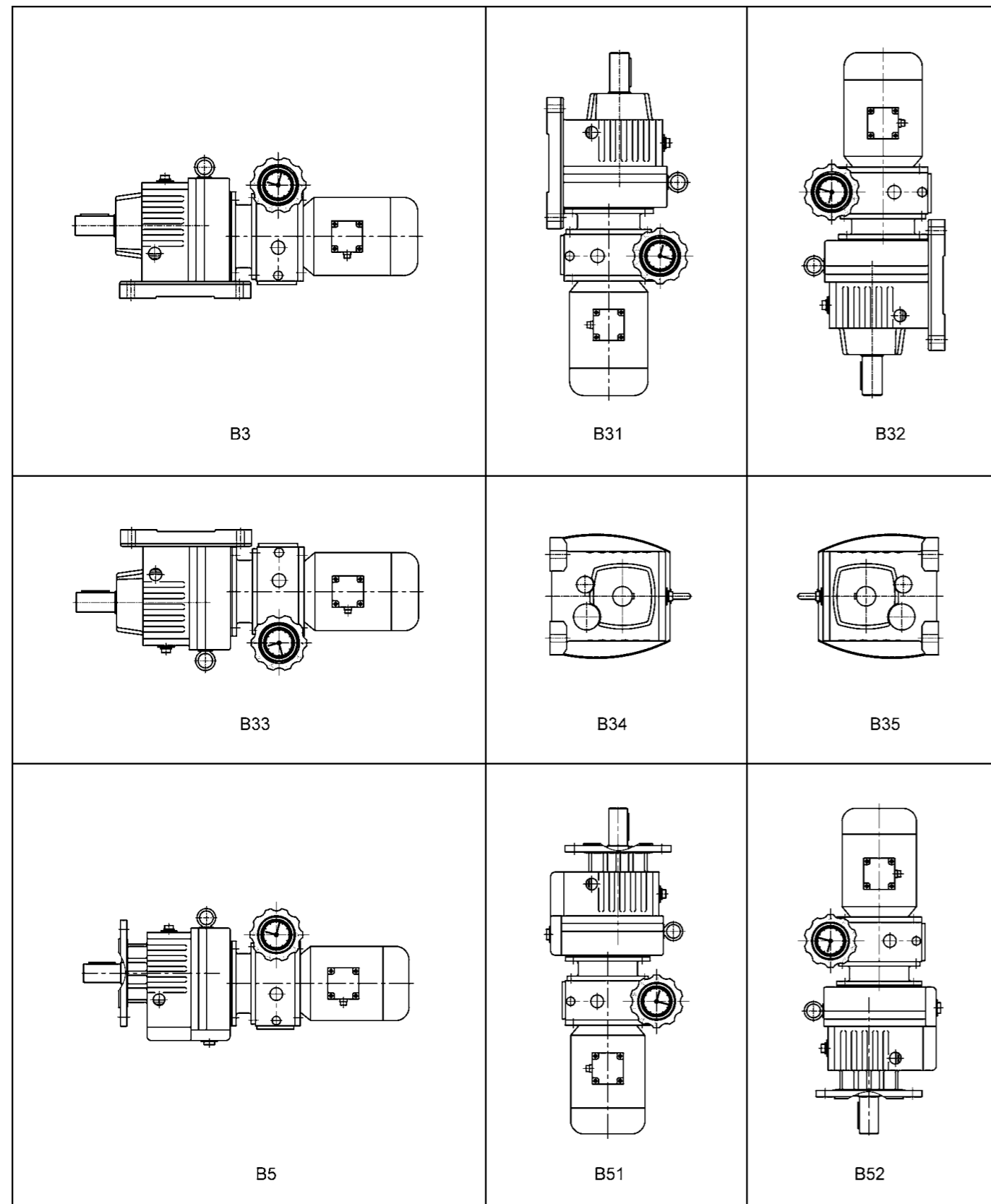
UD-C(CF) 系列安装形式 | Installation Type of UD-C(CF) Series



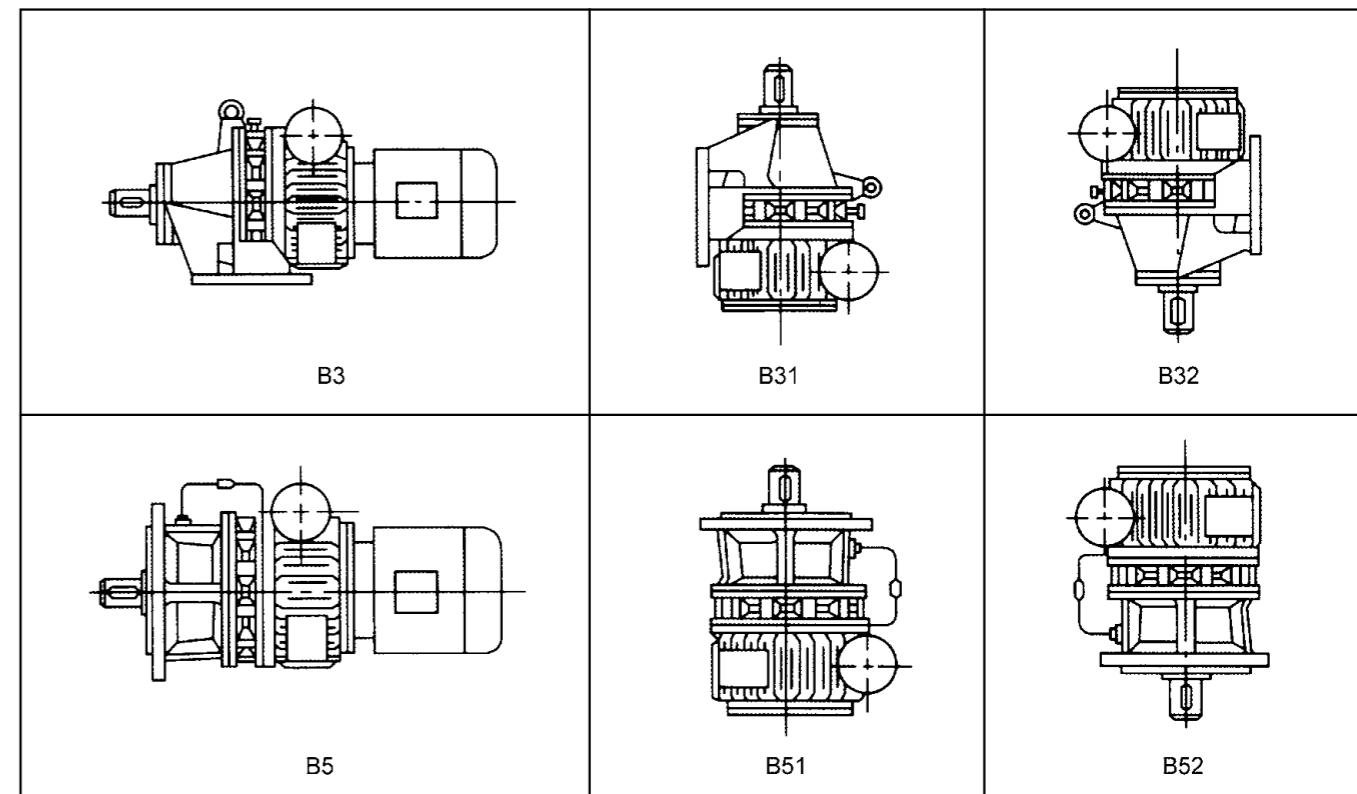
UD-CJ(CJF) 系列安装形式 | Installation Type of UD-CJ(CJF) Series



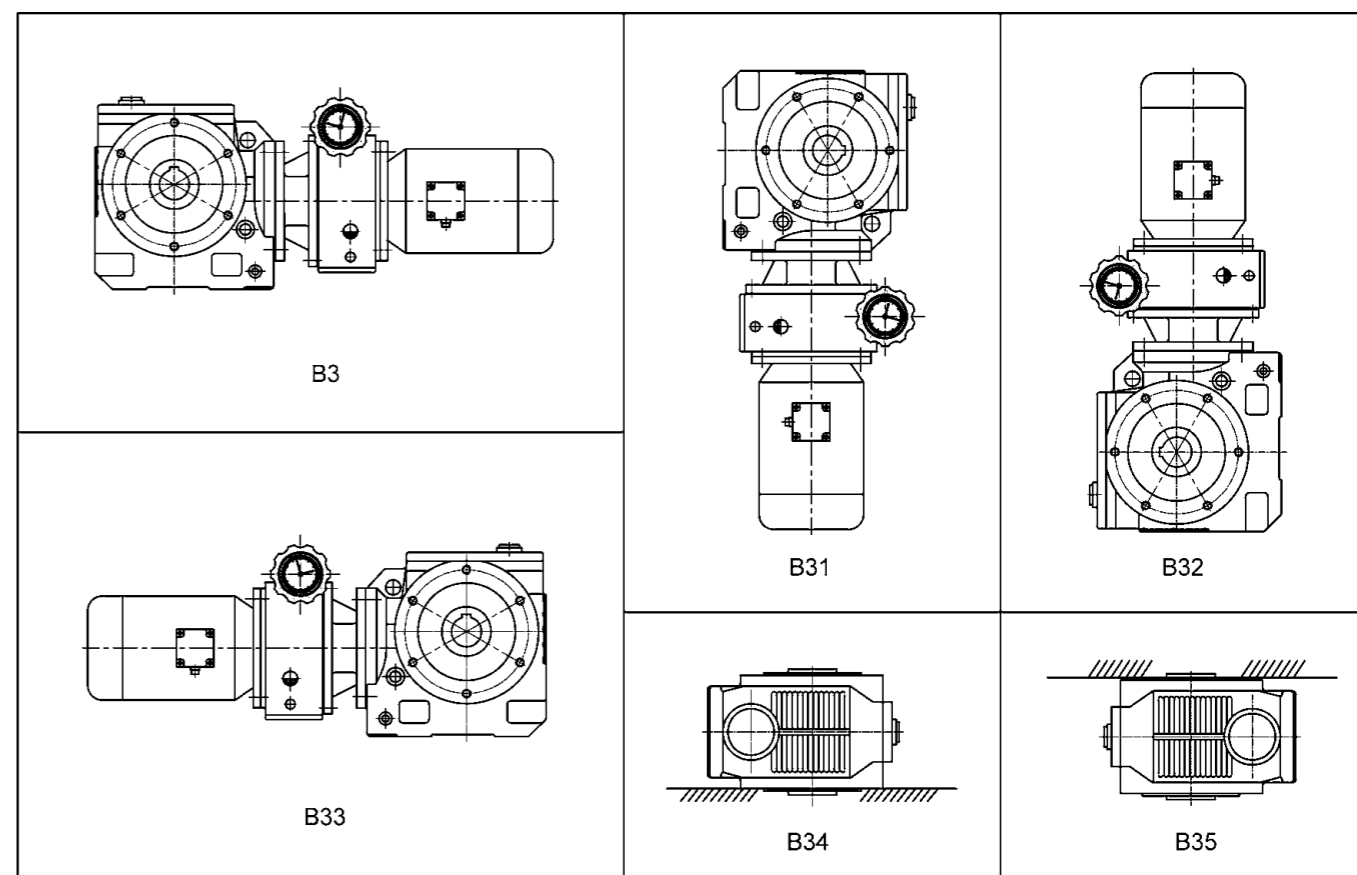
UD-R(RF) 系列安装形式 | Installation Type of UD-R(RF) Series



UD-B(X) 系列安装形式 | Installation Type of UD-B(X) Series

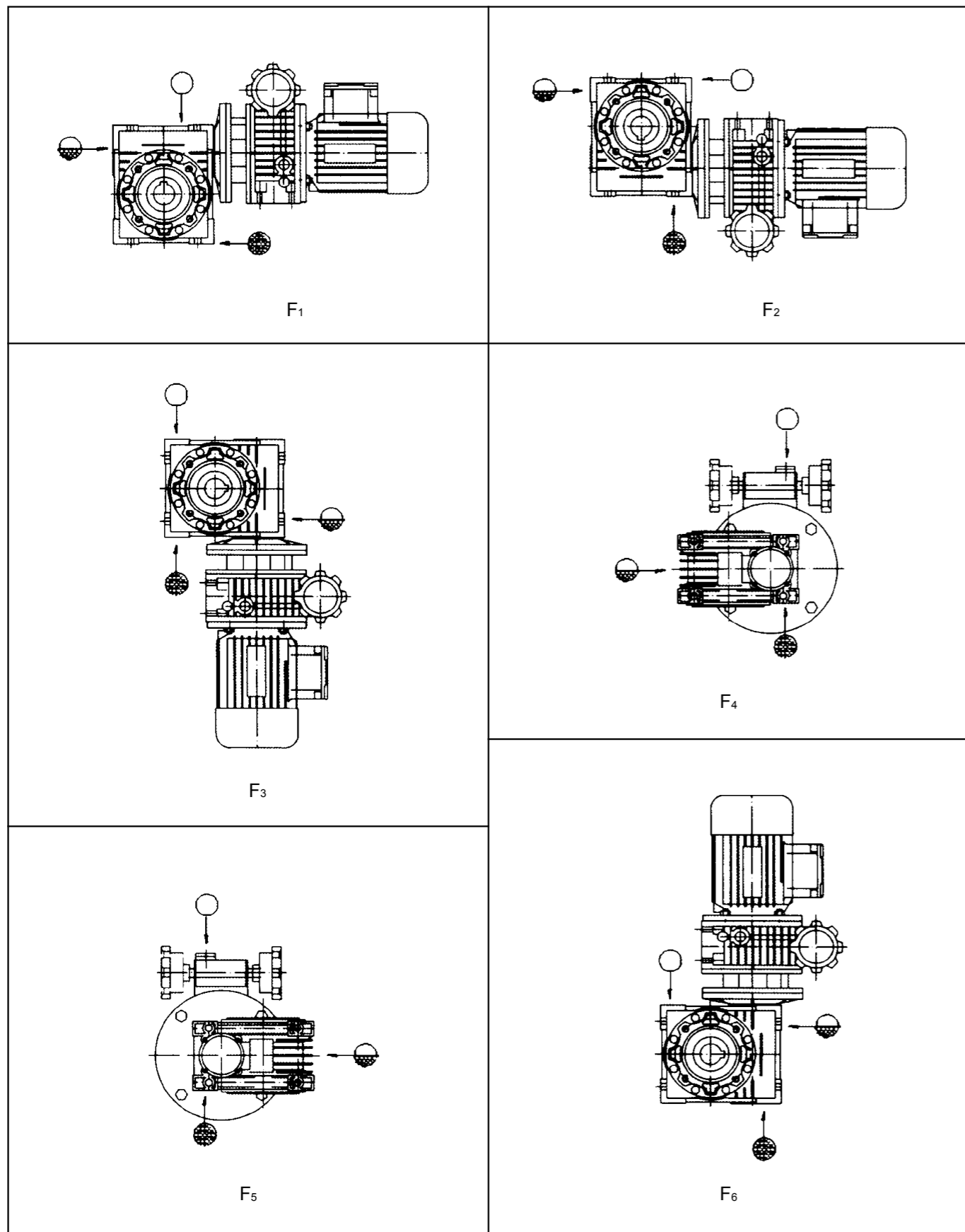


UD-W 系列安装形式 | Installation Type of UD-W Series

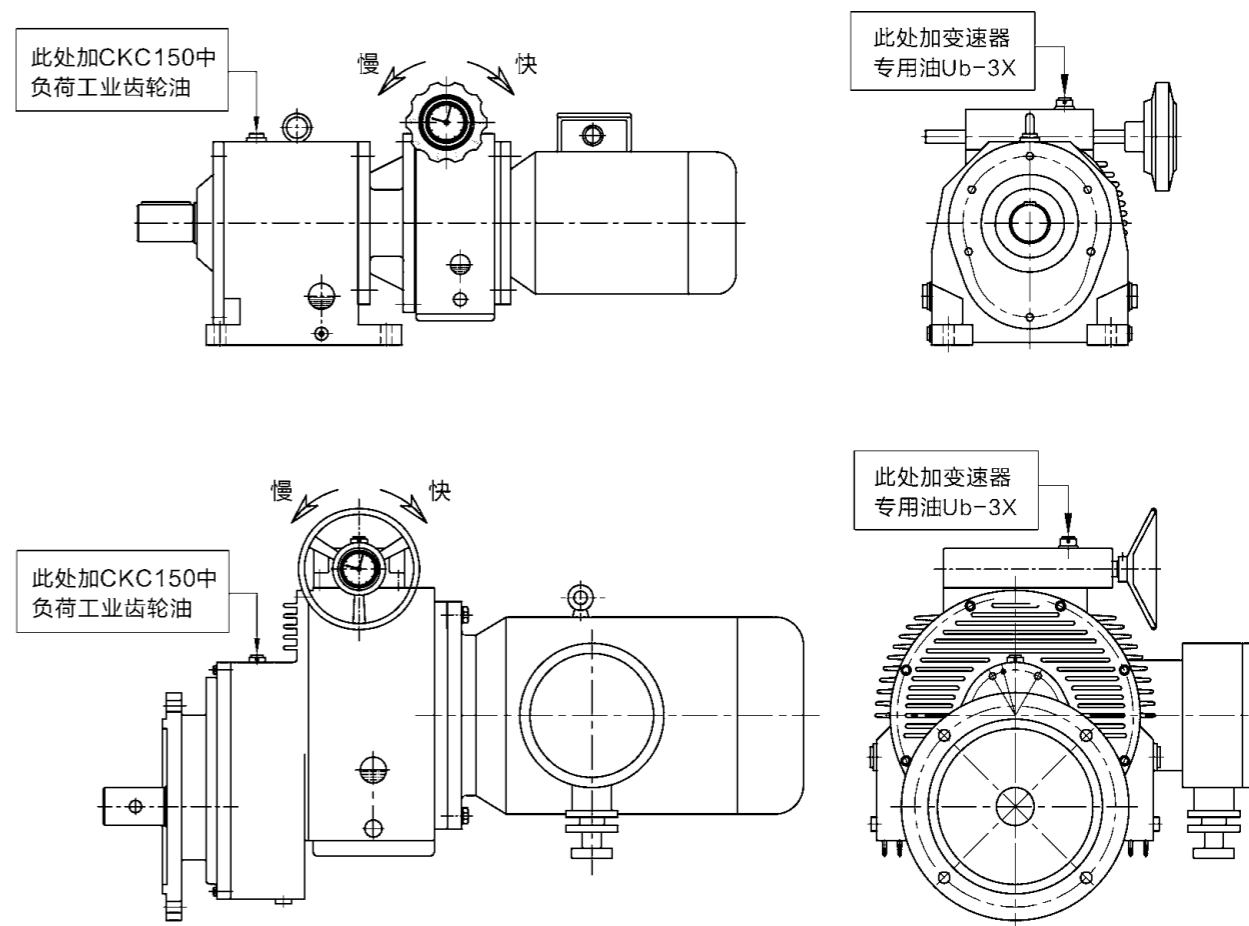




UD-WJL 系列安装形式 | Installation Type of WJL Series



加油方位说明 | Discription of Lubricant Filling Port



UD 系列变速器润滑油量表 | The Comparison Table of UD Series Variable Speed Transmission

安装形式 Installation form	B3	B31	B32	B33	B34	B35	B5	B51	B52
机座号 Housing No.	润滑油量 (升) Lubricating Oil Capacity (L)								
UD02	0.3	0.3	0.35	0.3	0.35	0.35	0.3	0.3	0.35
UD04	0.4	0.4	0.45	0.4	0.45	0.45	0.4	0.4	0.45
UD07	0.4	0.4	0.5	0.4	0.5	0.5	0.4	0.4	0.5
UD15	0.5	0.5	0.6	0.5	0.6	0.6	0.5	0.5	0.6
UD40	1.0	1.0	1.2	1.0	1.2	1.2	1.0	1.0	1.2
UD75	2.5	2.5	3.0	2.5	3.0	3.0	2.5	2.5	3.0
UD150	5.0	5.0	6.0	5.0	6.0	6.0	5.0	5.0	6.0

**UD 系列带齿轮润滑油量表 | The Comparison Table of UD Series With Gear Wheel**

安装形式 Installation form	B3	B31	B32	B33	B34	B35	B5	B51	B52
机座号 Housing No.	润滑油量 (升) Lubricating Oil Capacity (L)								
UD02C1	0.15	0.2	0.2	0.2	0.25	0.25	0.15	0.2	0.2
UD04C1	0.15	0.2	0.2	0.2	0.25	0.25	0.15	0.2	0.2
UD07C1	0.3	0.4	0.5	0.4	0.5	0.5	0.3	0.4	0.5
UD15C1	0.4	0.5	0.6	0.5	0.6	0.6	0.4	0.5	0.6
UD40C1	0.6	0.8	0.9	0.8	0.9	0.9	0.6	0.8	0.9
UD75C1	1.0	1.1	1.2	1.1	1.3	1.3	1.0	1.1	1.2
UD150C1	2.0	2.4	2.6	2.4	2.8	2.8	2.0	2.4	2.6
UD02C2	0.2	0.3	0.3	0.45	0.45	0.45	0.2	0.2	0.3
UD04C2/2C	0.3	0.4	0.4	0.55	0.55	0.55	0.3	0.4	0.4
UD07C2/2C	0.3	0.5	0.5	0.65	0.65	0.65	0.3	0.5	0.5
UD15C2/2C	0.5	0.6	0.6	0.8	0.8	0.8	0.5	0.6	0.6
UD40C2/2C	0.8	0.9	0.9	1.1	1.1	1.1	0.8	0.9	0.9
UD75C2	1.3	1.5	1.5	1.8	1.8	1.8	1.3	1.5	1.5

**UD 系列重量表 (不含电机) | Weight Table of UD Series (Without Motor)**

机座号 Housing No.	UD02	UD04	UD07	UD15	UD40	UD75	UD150
重量 Weight (kg)	8	11	18	28	55	97	180
机座号 Housing No.	UD02-F	UD04-F	UD07-F	UD15-F	UD40-F	UD75-F	UD150-F
重量 Weight (kg)	8	11	19	30	52	99	190
机座号 Housing No.	UD02-C1	UD04-C1	UD07-C1	UD15-C1	UD40-C1	UD75-C1	UD150-C1
重量 Weight (kg)	12	13	23	34	64	132	250
机座号 Housing No.	UD02-C1-F	UD04-C1-F	UD07-C1-F	UD15-C1-F	UD40-C1-F	UD75-C1-F	UD150-C1-F
重量 Weight (kg)	12	13	25	35	61	132	300
机座号 Housing No.	UD02-C2	UD04-C2	UD07-C2	UD15-C2	UD40-C2	UD75-C2	
重量 Weight (kg)	14	18	32	43	95	160	
机座号 Housing No.	UD02-C2-F	UD04-C2-F	UD07-C2-F	UD15-C2-F	UD40-C2-F	UD75-C2-F	
重量 Weight (kg)	14	18	35	44	92	160	
机座号 Housing No.		UD04-2C	UD07-2C	UD15-2C	UD40-2C		
重量 Weight (kg)		18	32	44	90		